

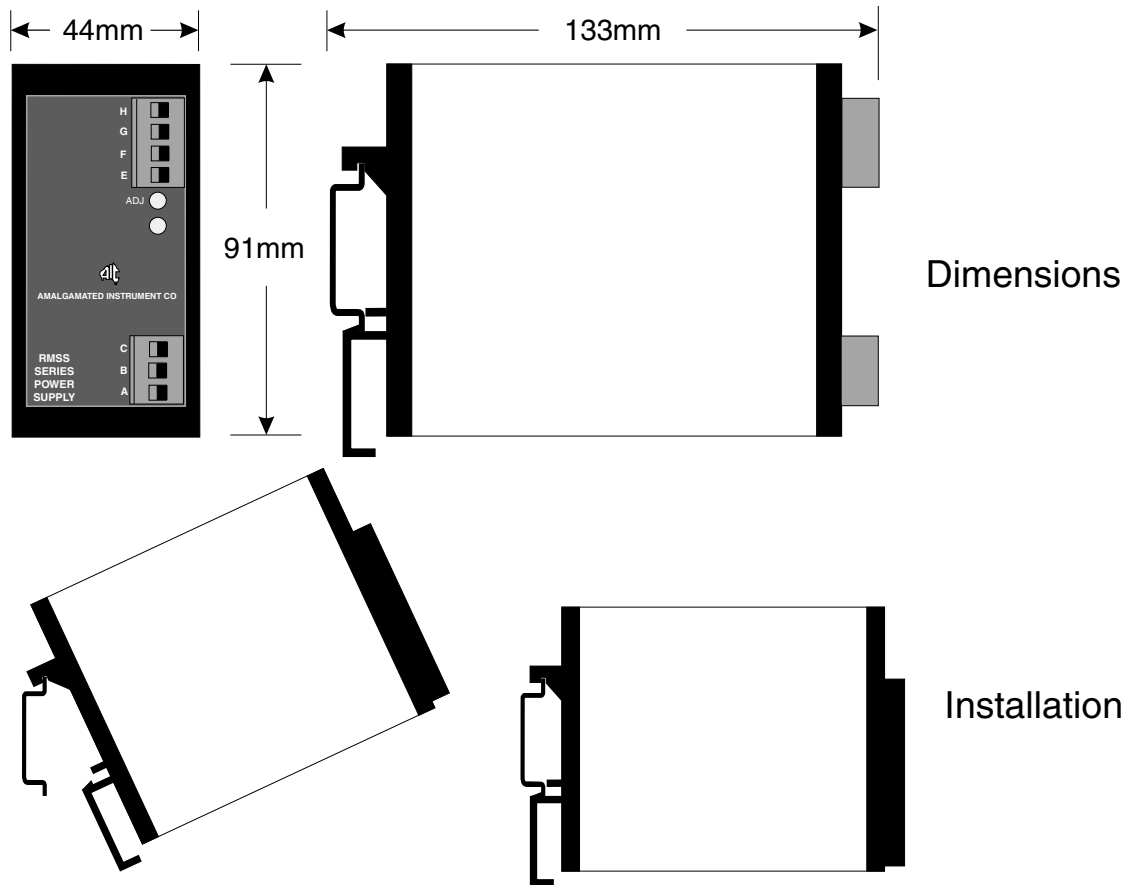
RMSS

Series Power Supply
Operation and Instruction Manual



Mechanical Installation

The RMSS is a DIN rail mount instrument, simply clip the unit onto rail as shown below. To remove from the rail insert a broad bladed screwdriver under the lower arm and lever downwards to release clip.

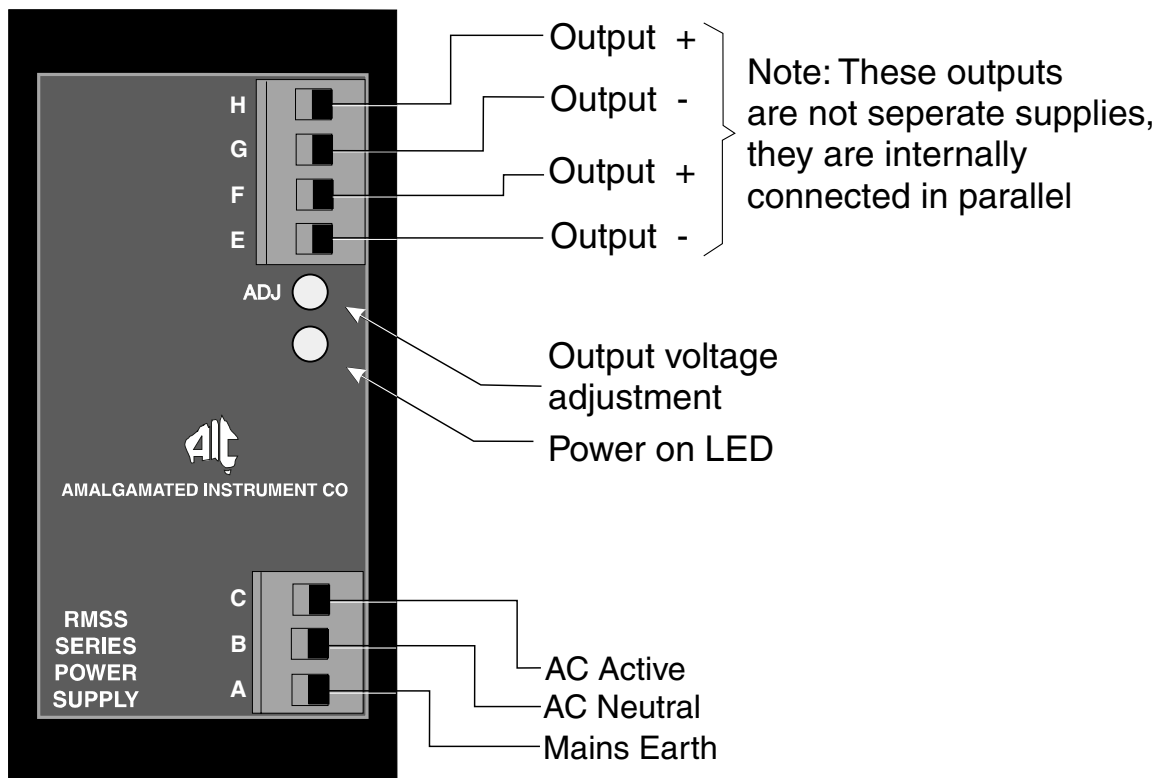


Electrical Installation

The diagram overleaf shows the electrical connections for the RMSS power supply. The data label on the side of the instrument also shows the electrical connections. Connectors are of the plug in, screw type for ease of installation and will accept wire of up to 2.5mm in diameter.

The two outputs are in parallel and should be used as separate outputs only i.e. do not try to increase the output voltage by connecting the outputs in series. The RMSS is available with either 240 or 110VAC supply. The output is short circuit protected for short to medium term faults. However, extended operation (more than 2-3 hours) into a short circuit may cause permanent damage to the unit. In an overload condition the unit will shut down for its own protection. The unit must be switched off, then on again, to re-establish normal operation. It may be necessary to leave the unit switched off for a minute or two to recover before switching on again.

Electrical Connections



Specifications

| | |
|-------------------------|--------------------------------------------------------------------------------------------------------------|
| Voltage range: | 5 to 24VDC adjustable |
| Output power: | 12W from 12V to 24V output 11W at 10V output 7.5W at 5V output |
| Output power variation: | The max.output power will be reduced by approximately 2W for every 10°C rise above 35°C ambient temperature. |
| Output protection: | Short and medium term short circuit protection |
| Power supply: | 240 or 110VAC models available |
| Weight: | 700 grams |
| Temperature range: | -10 to 60°C 5 to 95% humidity, non condensing |

Guarantee & Service

The product supplied with this manual is guaranteed against faulty workmanship for a period of 2 years from the date of dispatch.

Our obligation assumed under this guarantee is limited to the replacement of parts which, by our examination, are proved to be defective and have not been misused, carelessly handled, defaced or damaged due to incorrect installation. This guarantee is VOID where the unit has been opened, tampered with or if repairs have been made or attempted by anyone except an authorised representative of the manufacturing company.

Products for attention under guarantee (unless otherwise agreed) must be returned to the manufacturer freight paid and, if accepted for free repair, will be returned to the customers address in Australia free of charge.

When returning the product for service or repair a full description of the fault and the mode of operation used when the product failed must be given.

In any event the manufacturer has no other obligation or liability beyond replacement or repair of this product.

Modifications may be made to any existing or future models of the unit as it may deem necessary without incurring any obligation to incorporate such modifications in units previously sold or to which this guarantee may relate.

**This document is the property of
the instrument manufacturer
and may not be reproduced in whole or part without the writ-
ten consent of the manufacturer.**

This product is designed and manufactured in Australia.