

## **RM3-PS**

Dual 24VDC Power Supply  
Operation and  
Instruction Manual



---

## Introduction

---

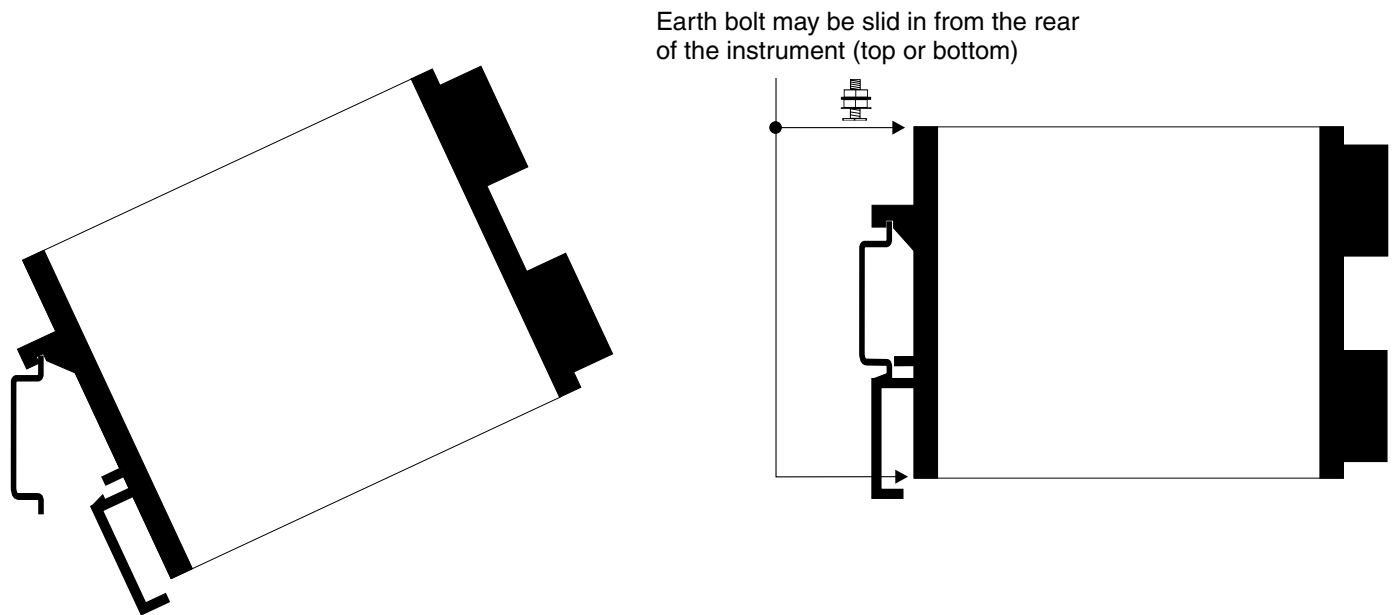
This manual covers the installation and operation of RM3-PS power supply. The RM3-PS can be used as a stand alone isolated, unregulated dual 24VDC power supply or be integrated as an option in one of the model RM3 4-20mA signal transmitters.

---

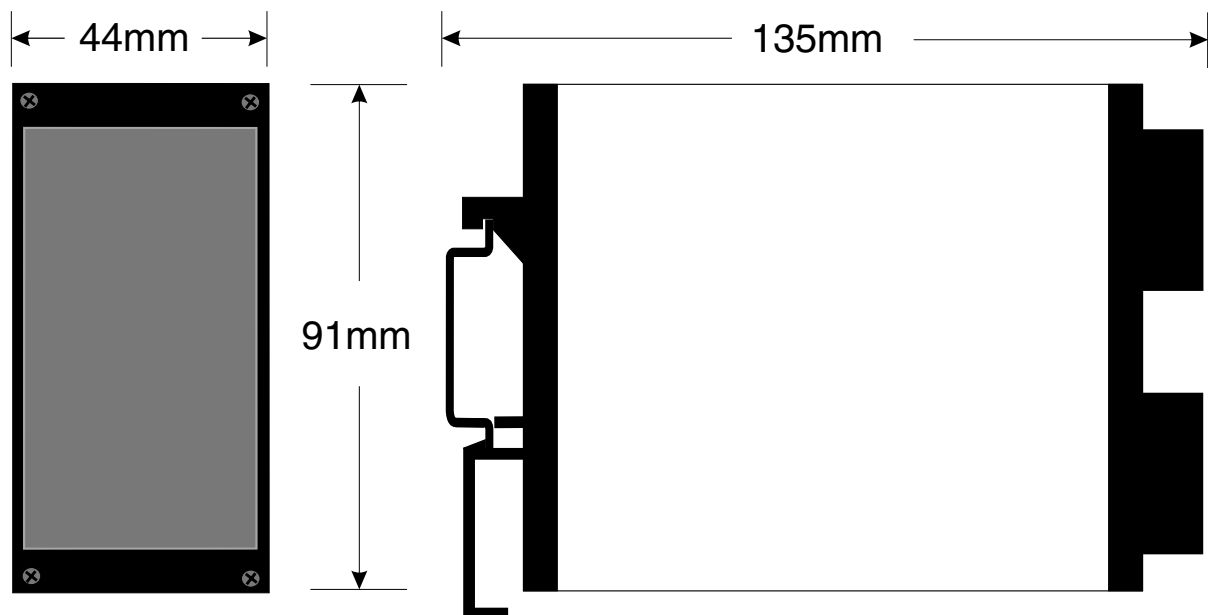
## Mechanical Installation

---

The RM3 clips onto a standard 35mm DIN rail as shown below.

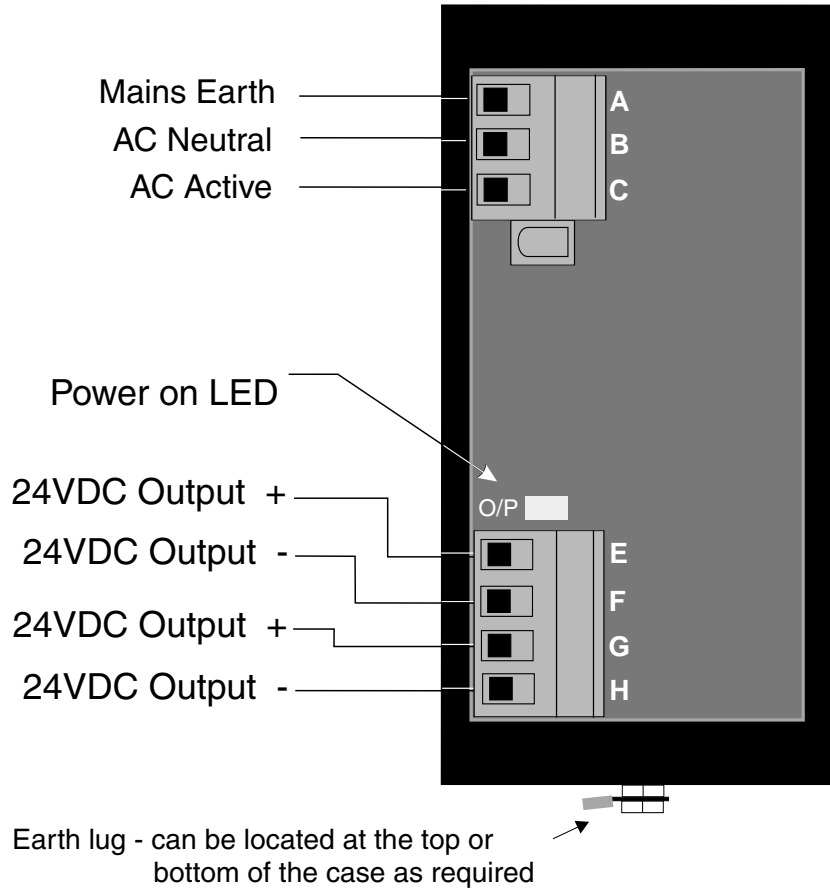


### Dimensions



# Electrical Installation

Plug in type screw connector terminal blocks are provided for ease of installation. The terminal blocks allow for wires of up to 2.5mm<sup>2</sup> to be fitted. Connect the wires to the appropriate terminals as indicated in the diagram below. For EMC compliance the case of the instrument should be earthed via the case earth lug.



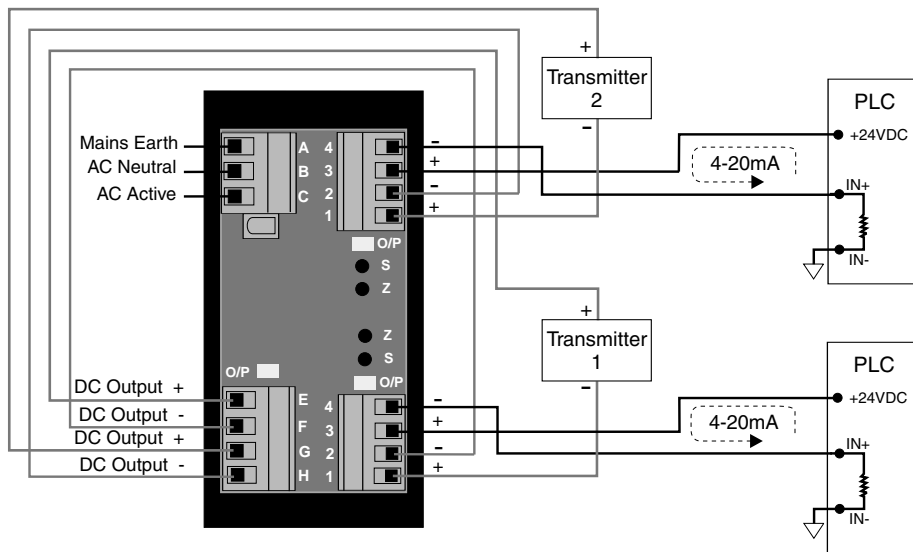
A	MAINS EARTH	
B	240VAC NEUTRAL	
C	240VAC ACTIVE	
E	24VDC OUTPUT	+
F	24VDC OUTPUT	-
G	24VDC OUTPUT	+
H	24VDC OUTPUT	-
RM3-PS-240		SERIAL No.

Instrument data label (example)

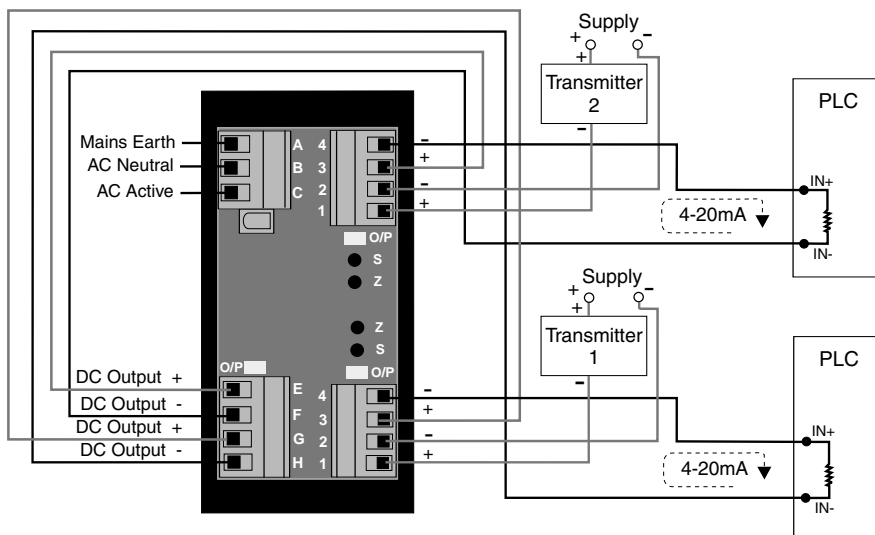
## Typical interconnection diagrams

The diagrams below illustrate the use of the RM3-PS with integrated RM3-IV transmitters using 4-20mA inputs and loop powered outputs.

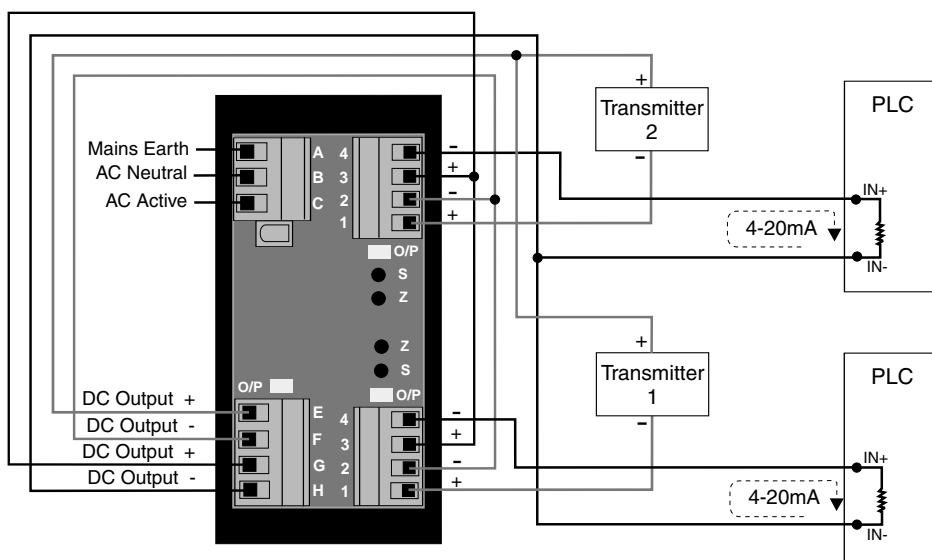
**Application 1** - Two inputs, two isolated outputs. Transmitters powered by internal supply.



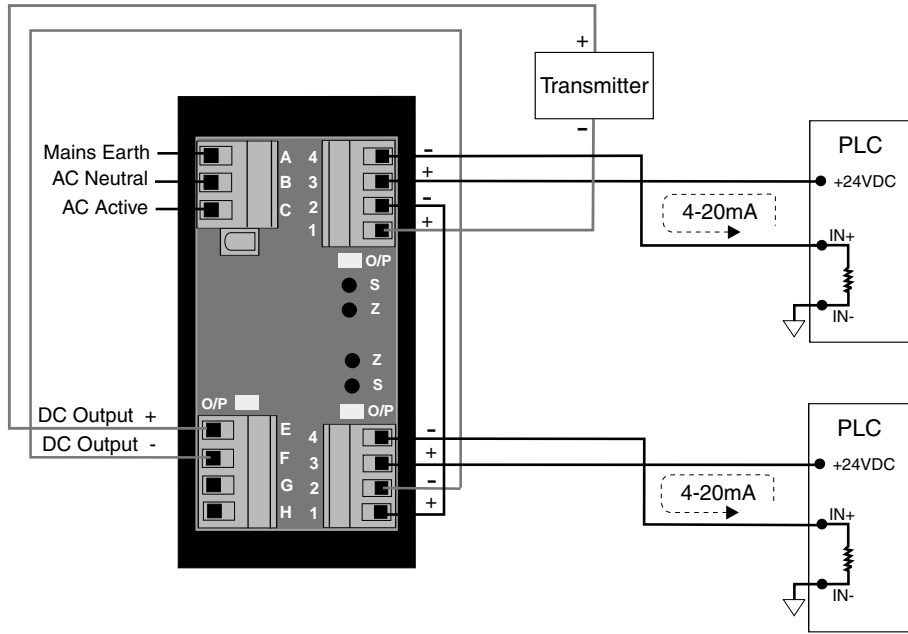
**Application 2** - Two inputs, two isolated outputs. Outputs powered by internal supply.



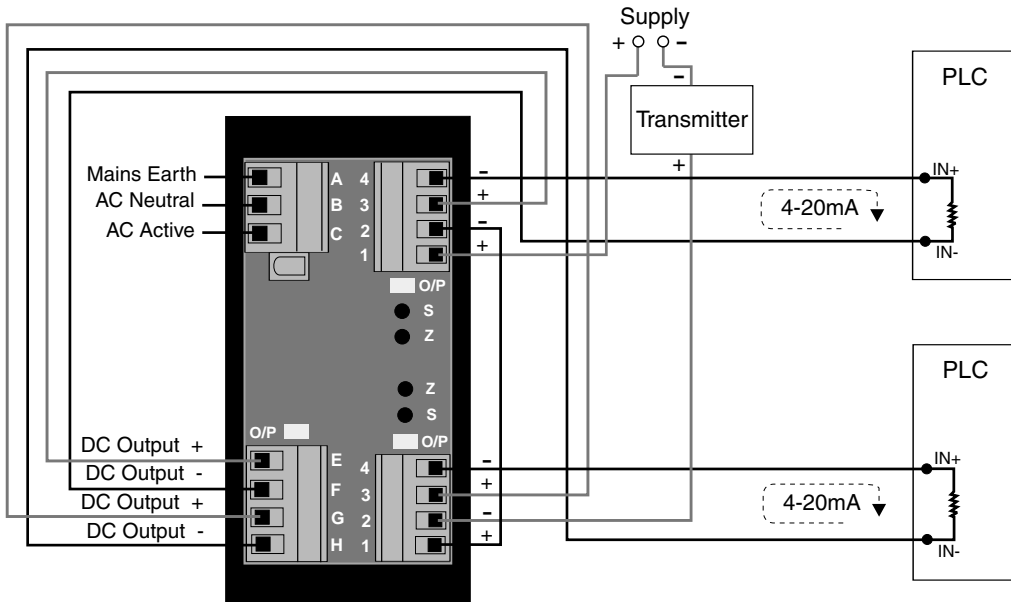
**Application 3** - Two inputs, two outputs. Note: Transmitters share a common supply and outputs share a common supply.



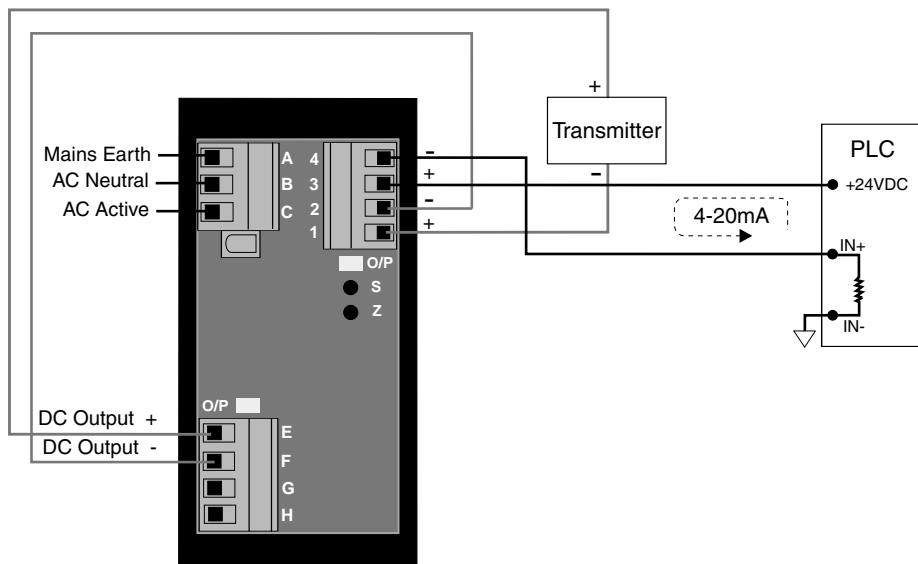
**Application 4 - Single input, two isolated outputs. Transmitter powered by internal supply.**



**Application 5 - Single input, two isolated outputs. Outputs powered by internal supply.**



**Application 6 - Single input, single isolated output. Transmitter & output powered by internal supply.**



---

# Specifications

---

## TECHNICAL SPECIFICATIONS

Supply:	240VAC or 110VAC (factory configured)
Output:	Two 24VDC outputs, isolated, unregulated
Output current:	40 mA per channel at up to 40°C 20 mA per channel at up to 60°C
Isolation:	1kV DC or RMS supply to output, for 30 seconds Outputs are ground loop isolated
Ambient temp:	0 to 60°C
Humidity:	5 to 95% non condensing

## PHYSICAL CHARACTERISTICS

Case size:	44mm x 91mm x 135mm
Mounting:	35mm DIN Rail mount (EN50022)
Connections:	Plug in screw terminals (max 2.5mm <sup>2</sup> wire)
Weight:	400 gms

Specifications are subject to change without notice

---

## Guarantee & Service

---

The product supplied with this manual is guaranteed against faulty workmanship for a period of 2 years from the date of dispatch.

Our obligation assumed under this guarantee is limited to the replacement of parts which, by our examination, are proved to be defective and have not been misused, carelessly handled, defaced or damaged due to incorrect installation. This guarantee is VOID where the unit has been opened, tampered with or if repairs have been made or attempted by anyone except an authorised representative of the manufacturing company.

Products for attention under guarantee (unless otherwise agreed) **must be returned to the manufacturer freight paid** and, if accepted for free repair, will be returned to the customer's address in Australia free of charge.

When returning the product for service or repair a full description of the fault and the mode of operation used when the product failed must be given.

In any event the manufacturer has no other obligation or liability beyond replacement or repair of this product.

Modifications may be made to any existing or future models of the unit as it may deem necessary without incurring any obligation to incorporate such modifications in units previously sold or to which this guarantee may relate.

This document is the property of  
the instrument manufacturer  
and may not be reproduced in whole or part without the  
written consent of the manufacturer.

This product is designed and manufactured in Australia.