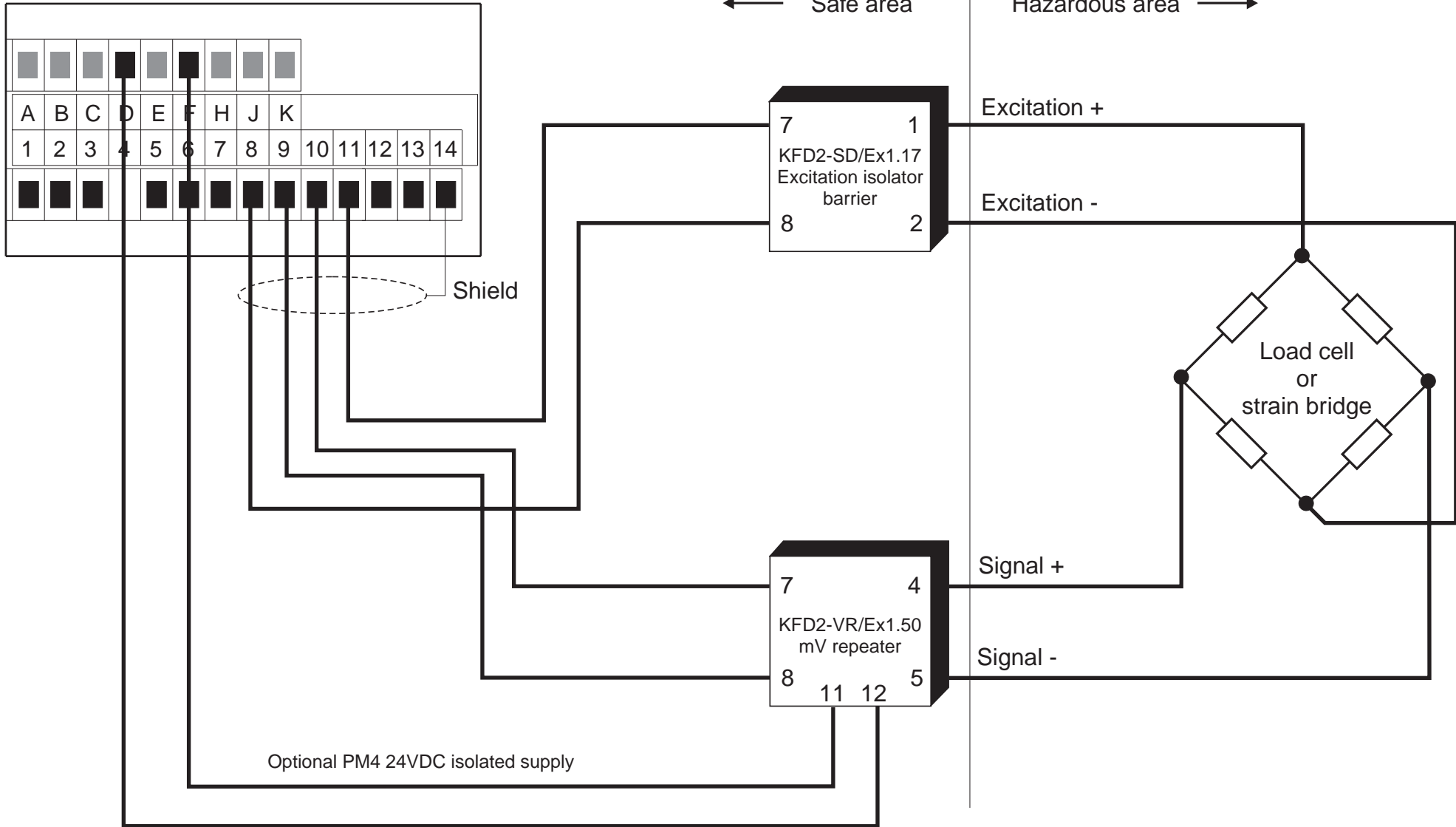



PM4-WT Rear



Note: In this configuration no options other than the 24V supply options should be used

		AMALGAMATED INSTRUMENT CO P/L 5/28 LEIGHTON PL, HORNSBY NSW 2077 AUSTRALIA PH (02) 9476 2244 FAX (02) 9476 2902	
		TITLE: PM4-WT connection to Pepperl+Fuchs barriers & repeaters	
DRAWN: AAF	DRAWING No. PM4WTP+FCON4	REV. A	
APPROVED:	DATE: 15/09/98	SHEET: 1 of 1	