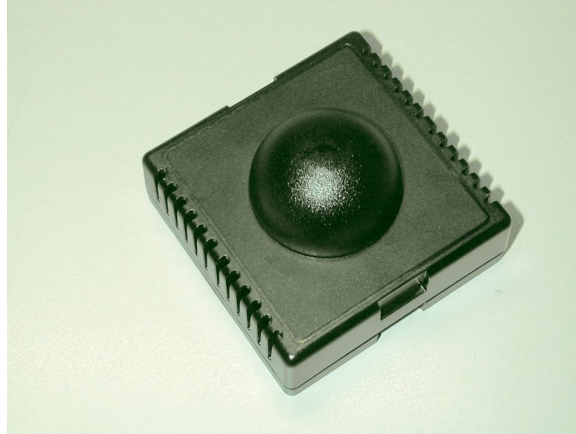


Black Bulb Temperature Sensor



Features

- Designed for radiant heating systems
- Available with a wide range of temperature measurement elements

Description

The WS-TPRS_{xx}/BB is a black bulb room temperature sensor specifically designed to measure the temperature of radiant heating systems. The housing is wall mounted and made from black fire retardant polycarbonate.

The WS-TPRS_{xx}/BB is available with temperature measurement elements compatible with most leading BMS controls. Some models will work directly with AIC's temperature monitoring products.

Order Code

Sensor Type	Order Code
10K3A1 2-wire thermistor	WS-TPTRS/BB
10K4A1 2-wire thermistor	WS-TPARS/BB
20K6A1 2-wire thermistor	WS-TPHRS/BB
1.8K7 2-wire thermistor	WS-TP/T&A/RS/BB
Pt100 2-wire RTD	WS-TPPT2RS/BB
Pt1000 2-wire RTD	WS-TPPT3RS/BB
4-20mA output	WS-TPRS/BB/40
0-10VDC output	WS-TPVRS/BB

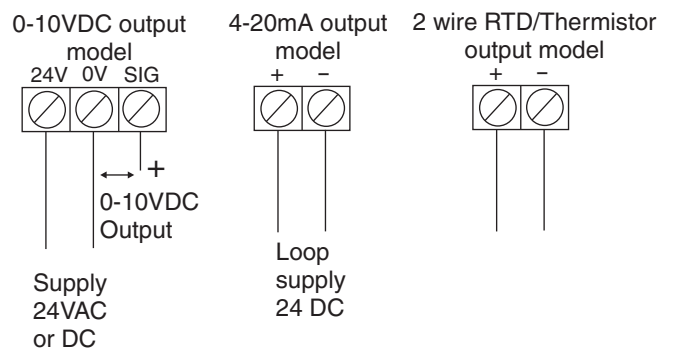
Specifications

Enclosure	Flame retardant polycarbonate
Outputs	4-20mA for range -10°C to +40°C 0-10VDC for range 0°C to +40°C
Sensing Elements:	Thermistors listed in order code Pt100 Pt1000 4-20mA 0-10VDC
Accuracy	Thermistors - $\pm 0.2^{\circ}\text{C}$ @ 70°C 4-20mA - $\pm 0.1^{\circ}\text{C}$ 0-10VDC - $\pm 0.5^{\circ}\text{C}$

Dimensions

Width	80mm
Height	80mm
Depth	29mm plus height of bulb
Location	Wall mounted 1.5m from floor level

Wiring



WSTPRSBB-2.2-0