

Duct mount air velocity transmitter by TITAN Products Ltd

Features:

- Air velocity with temperature
- Ranges 0-8m/sec or 0-16m/sec (link selectable)
- 24 VAC or 16-30VDC supply
- 4-20 mA or 0-10VDC outputs.

Specifications:

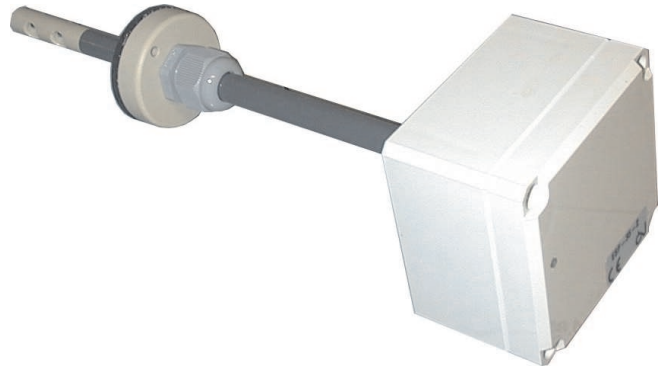
Ranges:	0-8m/sec or 0-16m/sec (link selectable)
Power Supply:	24VAC or 16-20VDC
Output:	4-20 mA or 0-10VDC(velocity) 0-10VDC (temperature)
Operating Temperature:	-10°C to +60°C
Accuracy:	±5% of readout value ± 0.4m/sec
Ride time:	20 seconds
Time constant:	5 seconds
Depth of duct insertion:	50mm - 185mm

Description:

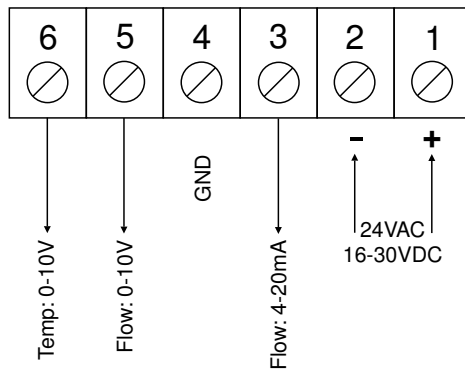
The WS-TP/ESF-35-2 air velocity transmitter relies on the cooling effect of a moving air stream. The cooling effect increases as the velocity increases. The μ -processor based electronics ensure that the output signal is linear and corrections are made in case of ambient temperature changes.

The transmitter is shipped with the range set to 0-8m/sec. The range can be set to 0-16m/sec by the removal of a jumper (SW1 on the PCB)

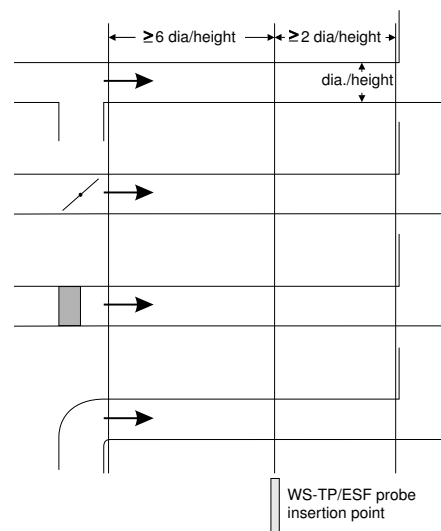
Velocity output is available as a 4-20mA signal or a 0-10VDC signal. A temperature output of 0-10VDC is also available



Connection details:



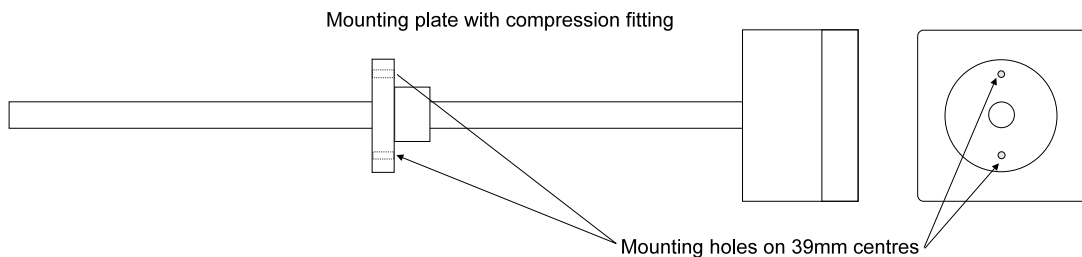
Air flow insertion details:



The WS-TP/ESF-35-2 is mounted in such a way that the airflow passes the sensor head. The transducer can be mounted in airflow channels with a diameter or width of 100mm to 370mm.

Order Codes:

WS-TP/ESF-35-2 Air velocity transmitter



WSITANESF-1.0-0

AMALGAMATED INSTRUMENT CO PTY LTD

ACN: 001 589 439

Unit 5, 28 Leighton Place Hornsby
NSW 2077 AUSTRALIA

Telephone: +61 2 9476 2244
Facsimile: +61 2 9476 2902

e-mail: sales@aicpl.com.au
Internet: www.aicpl.com.au