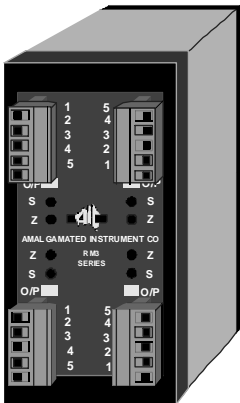
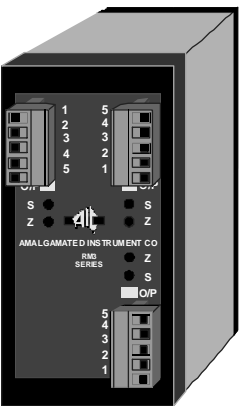


Slidewire Transmitter

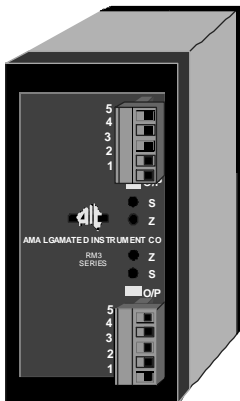
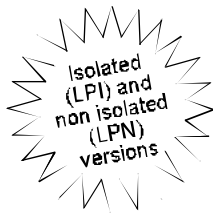
Model RM3-SW-LPI



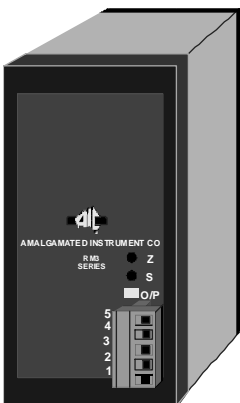
**Model
RM3-SW-LPI-4
Four Channel**



**Model
RM3-SW-LPI-3
Three Channel**



**Model
RM3-SW-LPI-2
Two Channel**



**Model
RM3-SW-LPI-1
One Channel**



Description

The RM3 2 wire, loop powered, slidewire transmitter accepts a 3 wire slidewire (potentiometer) input. The slidewire inputs are converted to a 4-20mA output signal. Slidewires with resistance ranges of between 0-1kΩ and 0-1MΩ may be used.

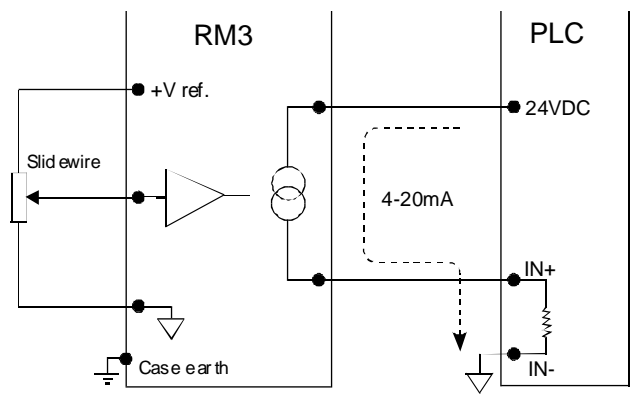
Models are available with either 1, 2, 3 or 4 input/output channels. Each channel has individual zero and span adjustment. Potentiometer controls for each channel are provided at the front of the instrument for zero and span adjustment.

An optional 240VAC or 110VAC supply is available for one or two channel models. This option provides two isolated 24VDC supplies.

Features

- 2 Wire - Loop powered
- 3 wire slidewire inputs
- Isolation between input and output
- 1, 2, 3 or 4 channel models in one compact case
- Output level indicator LED
- Wide zero and span range
- Front panel span and zero fine adjustment
- Rugged enclosure
- DIN rail mount
- Plug in screw terminal connectors
- Same connector wiring configuration for each channel - useful for testing
- 2 Year guarantee

Typical Application Block Diagram



RM3SW-1.3-0

AMALGAMATED INSTRUMENT CO PTY LTD

ACN: 001 589 439

Unit 5, 28 Leighton Place Hornsby
NSW 2077 AUSTRALIA

Telephone: +61 2 9476 2244
Facsimile: +61 2 9476 2902

e-mail: sales@aicpl.com.au
Internet: www.aicpl.com.au

Specifications and Ordering Information

Specifications are subject to change without notice

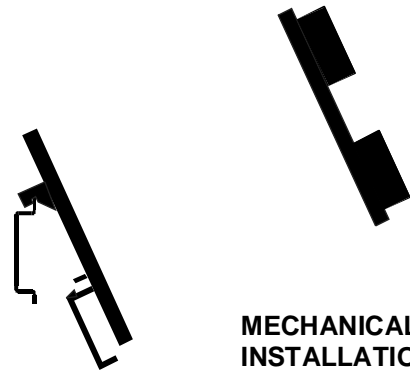
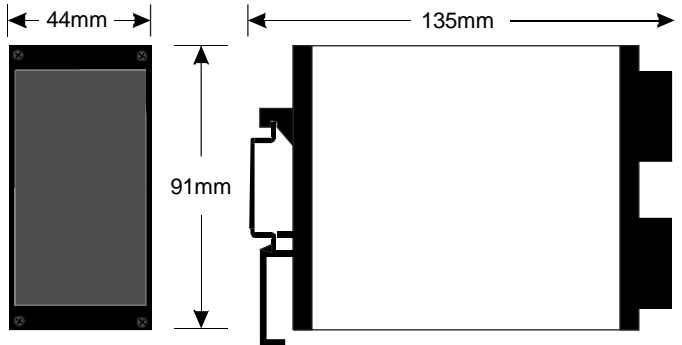
TECHNICAL SPECIFICATIONS

- Input: 3 wire slidewire, acceptable ranges are 0-1kΩ to 0-1MΩ
- Output: 4-20mA isolated
- Zero & Span: Potentiometer control for adjustment within the link set range.
- Supply: Powered by the 4-20mA loop current or optional 240VAC or 110VAC supply.
- Accuracy: Better than 0.1% of full scale when calibrated
- Linearity: Better than 0.1%
- Thermal Drift: Typically ±70 ppm/°C
- Open Circuit Input Detection: >20mA output
- Response Time: <0.5 sec to 1%
- Protection: Reverse polarity output protection
Over voltage output protection.
- Loop Supply: 13 to 36VDC
- Maximum Load: $R_L = \frac{\text{Supply (V)} - 9}{0.02}$ Ohms
- Load Effects: Effect on accuracy of changing load resistance is no greater than 0.1% FS.
- Ambient temp: 0 to 60°C
- Humidity: 5 to 95% non condensing

PHYSICAL CHARACTERISTICS

- Case size: 44mm x 91mm x 120mm
- Mounting: 35mm DIN Rail mount (EN50022)
- Connections: Plug in screw terminals (max 1.5mm² wire)
- Weight: 1 Channel 230 gms, 2 Channel 250 gms
3 Channel 300 gms, 4 Channel 320 gms

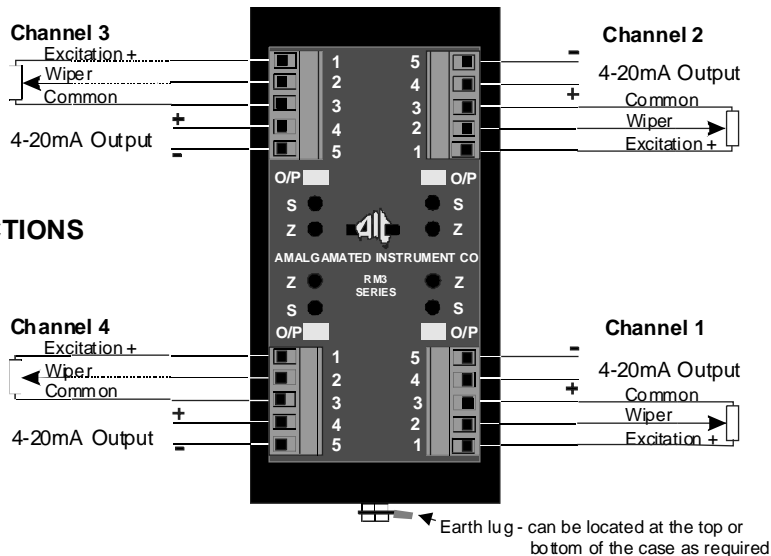
DIMENSIONS



MECHANICAL INSTALLATION



ELECTRICAL CONNECTIONS



ORDER CODE

- | | |
|--------------|--|
| RM3-SW-LPI-1 | Slidewire one channel model (isolated) |
| RM3-SW-LPI-2 | Slidewire two channel model (isolated) |
| RM3-SW-LPI-3 | Slidewire three channel model (isolated) |
| RM3-SW-LPI-4 | Slidewire four channel model (isolated) |