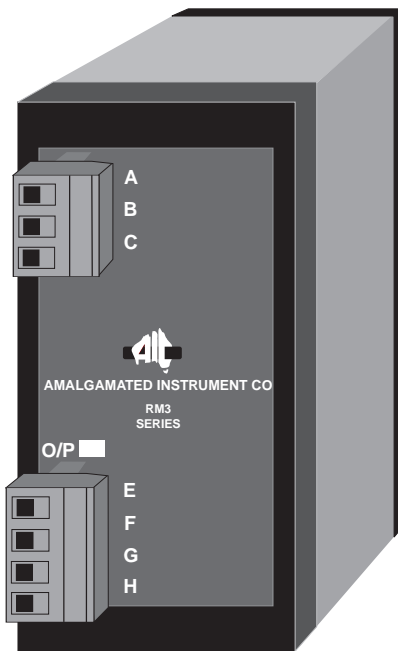
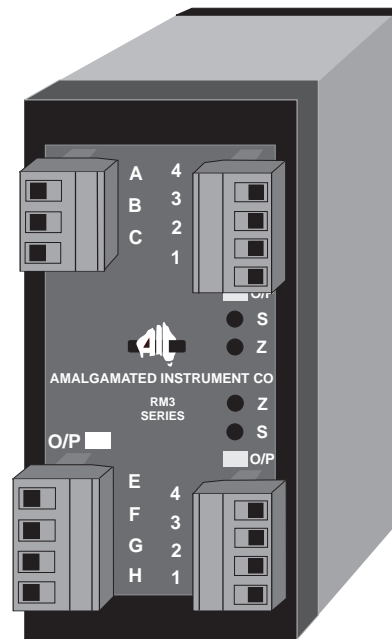


240VAC or 110VAC Powered Supplies Model RM3-PS



Power Supply Only

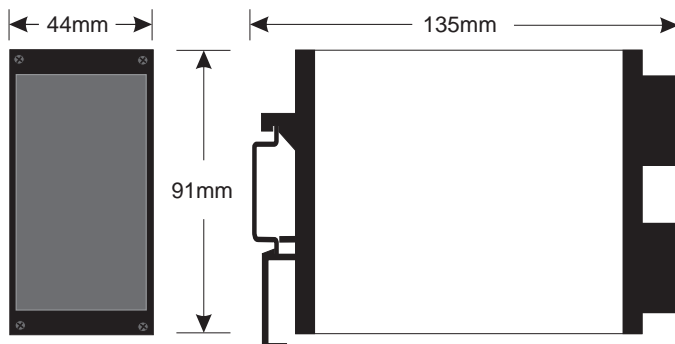


**Power Supply with
Dual Channel RM3 Transmitter**

Features

- Two isolated 24VDC supplies @ 40mA each
- Can be supplied as a stand alone power supply or integrated as an option in one and two channel RM3 transmitters
- RM3 models available for:
0-20mA, 4-20mA or DC Volts
100Ω RTD (PT100)
AC Amps & AC Volts
3 Wire slidewire
- Powers transmitters, output loop or both
- Single or two channel input/output

Dimensions



Description

The RM3-PS is available with 240VAC or 110VAC power supplies. It can be supplied as a stand alone unit in its own DIN rail mount housing or can be incorporated as an optional inbuilt supply in RM3 series transmitters (one and two channel models).

The supply provides isolated dual 24VDC outputs which may be used to power transmitters and/or power 4-20mA loop outputs. With a RM3 transmitter and RM3 optional power supply available in a single unit ordering and installation is made simple.

Each of the 24V outputs can provide up to 40mA output current.

Order code

RM3-PS-240-2x24 (240V supply version)

RM3-PS-110-2x24 (110V supply version)

Note: When ordering as an optional inbuilt power supply in RM3 series transmitters the order code for the power supply is different to the ones above. Check individual RM3 brochures for details.

RM3PWR-1.1-0

AMALGAMATED INSTRUMENT CO PTY LTD

ACN: 001 589 439

Unit 5, 28 Leighton Place Hornsby
NSW 2077 AUSTRALIA

Telephone: +61 2 9476 2244
Facsimile: +61 2 9476 2902

e-mail: sales@aicpl.com.au
Internet: www.aicpl.com.au

Specifications and Ordering Information

Specifications are subject to change without notice

SPECIFICATIONS - POWER SUPPLY ONLY

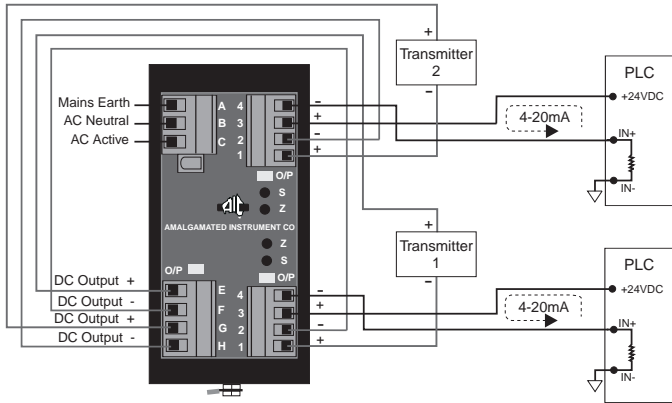
Supply: 240VAC or 110VAC (factory configured)
 Output Voltage: 24VDC nominal, two isolated outputs
 Output current: 40 mA per channel at up to 40°C
 20 mA per channel at up to 60°C.

Humidity: 5 to 95% non condensing
 Connections: Plug in connector with screw terminals (max 2.5mm² wire)

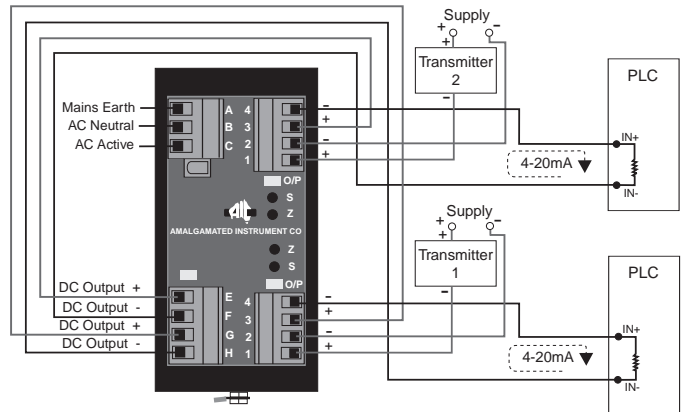
See individual brochures for specifications on each input type.

Typical applications

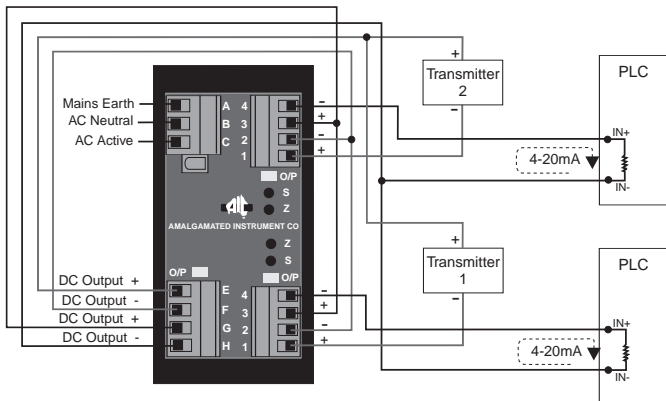
All examples below use 4-20mA inputs, other input types are also available .



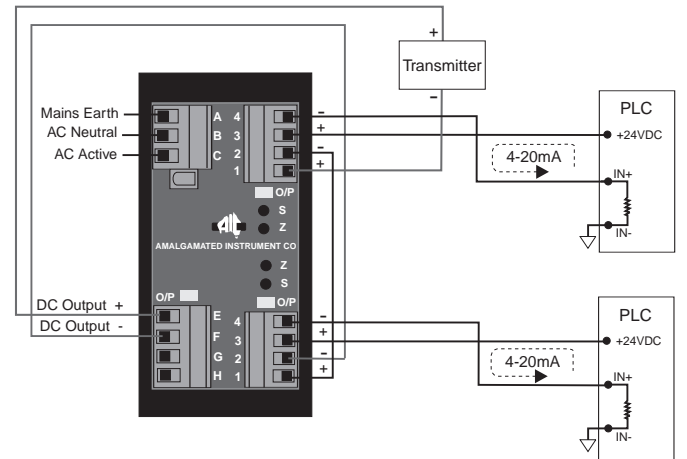
Application 1 - Two inputs, two isolated outputs. Transmitters powered by internal supply.



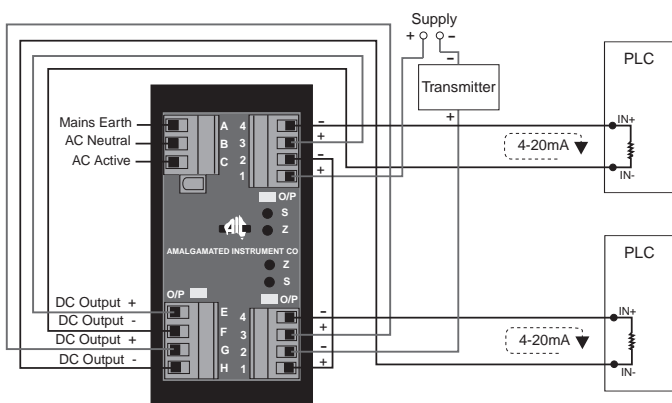
Application 2 - Two inputs, two isolated outputs. Outputs powered by internal supply.



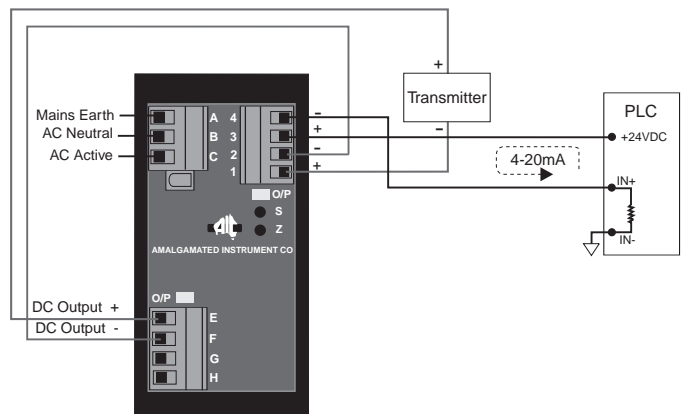
Application 3 - Two inputs, two outputs. Note: Transmitters share a common supply and outputs share a common supply.



Application 4 - Single input, two isolated outputs. Transmitter powered by internal supply.



Application 5 - Single input, two isolated outputs. Outputs powered by internal supply.



Application 6 - Single input, single isolated output. Transmitter & output powered by internal supply.