

Trafag Low Pressure Transmitters NSL Range

Description

The NSL range of low pressure transmitters are available in pressure ranges from 0 to 0.2 bar to 0 to 2.5 bar. Output ranges available are 4–20mA, 0–5VDC, 0–10VDC or 0.5–4.5VDC.

With the exception of the 0.2 bar sensor each model is available in either gauge (relative pressure) or absolute pressure.

The sensor diaphragm is fully welded steels so no additional seals are required.

The sensors are supplied with a straight M12 connector (no cable) and G 1/4" process fitting as standard, alternative connectors and process fittings are optionally available.



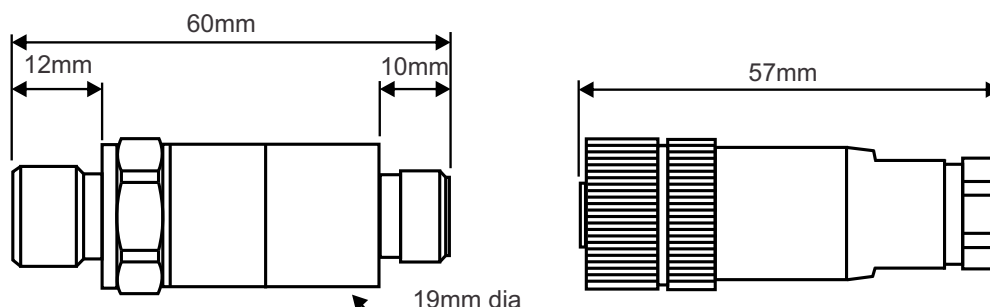
Specifications

Pressure range:	See part numbers
Supply voltage:	9 to 32VDC for 4–20mA and 0–5V out 15 to 32VDC for 0–10V out 5VDC of 0.5 to 4.5V out
Operating temp:	-40 to +125°C
Media temp:	-40 to +125°C
Protection:	IP65
Process con:	G1/4" (equivalent 1/4" BSP)
Electrical con:	M12 connector
Humidity:	max. 95% relative
Vibration:	25g (20 to 2000 Hz)
Shock:	100g/11mS
EMC:	Emission EN/IEC 61000-6-4 Immunity EN/IEC 61000-6-2
Material:	Sensor 1.4542 stainless steel Housing 1.4301 stainless steel O-ring FKM 70 Sh
Weight:	50 gm approx. + connector

Part numbers for standard range

NSL0.2A	0.200 millibar G, 4-20mA output
NSL0.4A	0.400 millibar G, 4-20mA output
NSL0.6A	0.600 millibar G, 4-20mA output
NSL1.0A	0.1bar G, 4-20mA output
NSL1.6A	0.1.6 bar G, 4-20mA output
NSL2.5A	0.2.5 bar G, 4-20mA output

Dimensions for standard body and electrical connector



NSLBR-1.0-0

AMALGAMATED INSTRUMENT CO PTY LTD

ACN: 001 589 439

Unit 5, 28 Leighton Place Hornsby
NSW 2077 Australia

Telephone: +61 2 9476 2244
Facsimile: +61 2 9476 2902

e-mail: sales@aicpl.com.au
Internet: www.aicpl.com.au