

Panel Mount Instrument PM5-RS

Models PM5-232, PM5-485, PM5-422, PM5-CL
RS232, RS485, RS422 or serial current loop input



4 digit LED 20mm digit height



4 digit LCD 12.7mm digit height



5 digit LED 14.2mm digit height



6 digit LED 14.2mm digit height



6 digit LCD 12.7mm digit height



Circular graph and 5 digit display



20 segment bargraph and 5 digit display

Features

- RS232, RS485, RS422 or serial current loop input (factory configured)
- Pushbutton programming
- Alarm relay output configurable for activation on display value or communications failure
- Versatile setup for compatibility with most data sources
- Serial data reduces the risk of electrical noise causing corruption of the signal
- Scanning display from up to 8 suitable channels/inputs
- Rolling average or fixed average of up to 128 values
- Polling output to external unit facility
- Accepts NMEA wind speed and direction data
- 240V, 110V, 32V, 24V AC or 12 to 48 V DC supply (factory configured)
- Remote switch input allows functions including peak hold, display hold etc.
- 2 year guarantee
- Programmable Baud rate, Parity, Decimal point and Data bits (7 or 8)
- Programmable Terminating characters (1-255), Skip characters (0-255) and Alpha enable
- Rugged construction
- Wide range of options available:
 - Single or dual analog retransmission
 - Additional setpoint relays
 - RS232 or RS485 output
 - 16 bit digital output (PNP or NPN factory configured)
 - Ethernet comms.
 - Isolated sensor supply 24VDC (± 12 VDC)



PM5RS-1.2-0

AMALGAMATED INSTRUMENT CO

ABN: 80 619 963 692

Unit 5, 28 Leighton Place Hornsby
NSW 2077 Australia

Telephone: +61 2 9476 2244
Facsimile: +61 2 9476 2902

e-mail: sales@aicpl.com.au
Internet: www.aicpl.com.au

Specifications

Technical Specifications

Input types: RS232,RS485, RS422 or 20mA current loop (factory configured)

Baud rate: Programmable 300, 600, 1200, 2400, 4800, 9600, 19.2k,38.4k, 57.6k or 115.2k

Microprocessor: MC68HC12 CMOS

Ambient temp: LED models -10°C to 60°C, LCD models -10°C to 50°C

Humidity: 5% to 95% non condensing

Display types: **LED models:**
 4 digit 20mm,
 5 digit 14.2mm,status LEDs and 4 way keypad.
 6 digit 14.2mm and 4 way keypad
 8 digit 10.2mm and 4 way keypad
 20 segment LED bar graph,
 5 digit display and 4 way keypad
 16 segment circular "bargraph",
 5 digit display and 4 way keypad

LCD models:
 4 digit or 6 digit 12.7mm

Power supply: 240, 110, 48, 32, 24VAC 50/60Hz, 12 to 48VDC or 50 to 110VDC (factory configured)

Power usage: AC supply 4 VA max, DC supply, consult supplier

Output (standard): 1 x relay, form A, rated 5A resistive

Relay action: Programmable N.O. or N.C.

Output Options - see order code section

Physical Characteristics

Bezel size: DIN 48mm x 96mm x 10mm

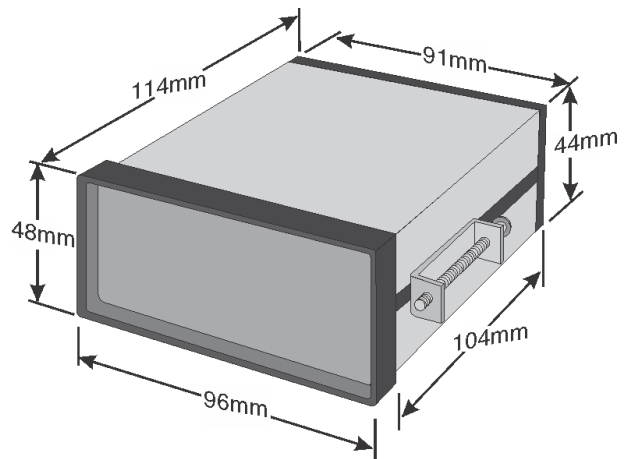
Case size: 44mm x 91mm x 115mm
 behind face of panel

Panel cut out: 45mm x 92mm (+1mm & -0mm)

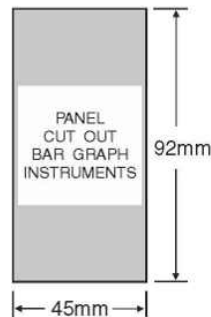
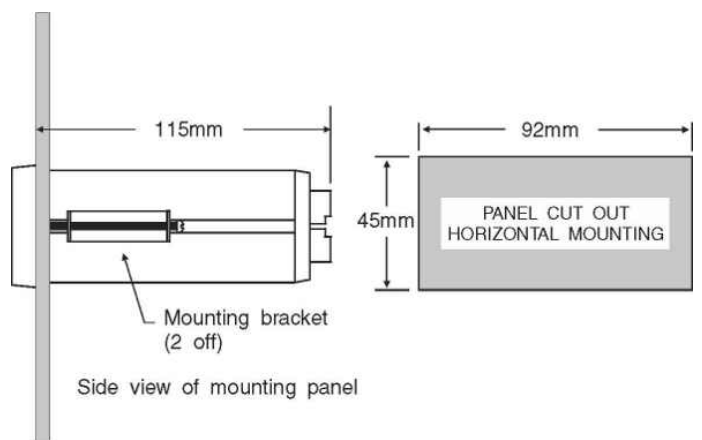
Connections: Plug in screw terminals (max 2.5mm² wire)

Weight: 400g basic model, 450g with option card

PM5-RS case dimensions



PM5-RS panel mounting details

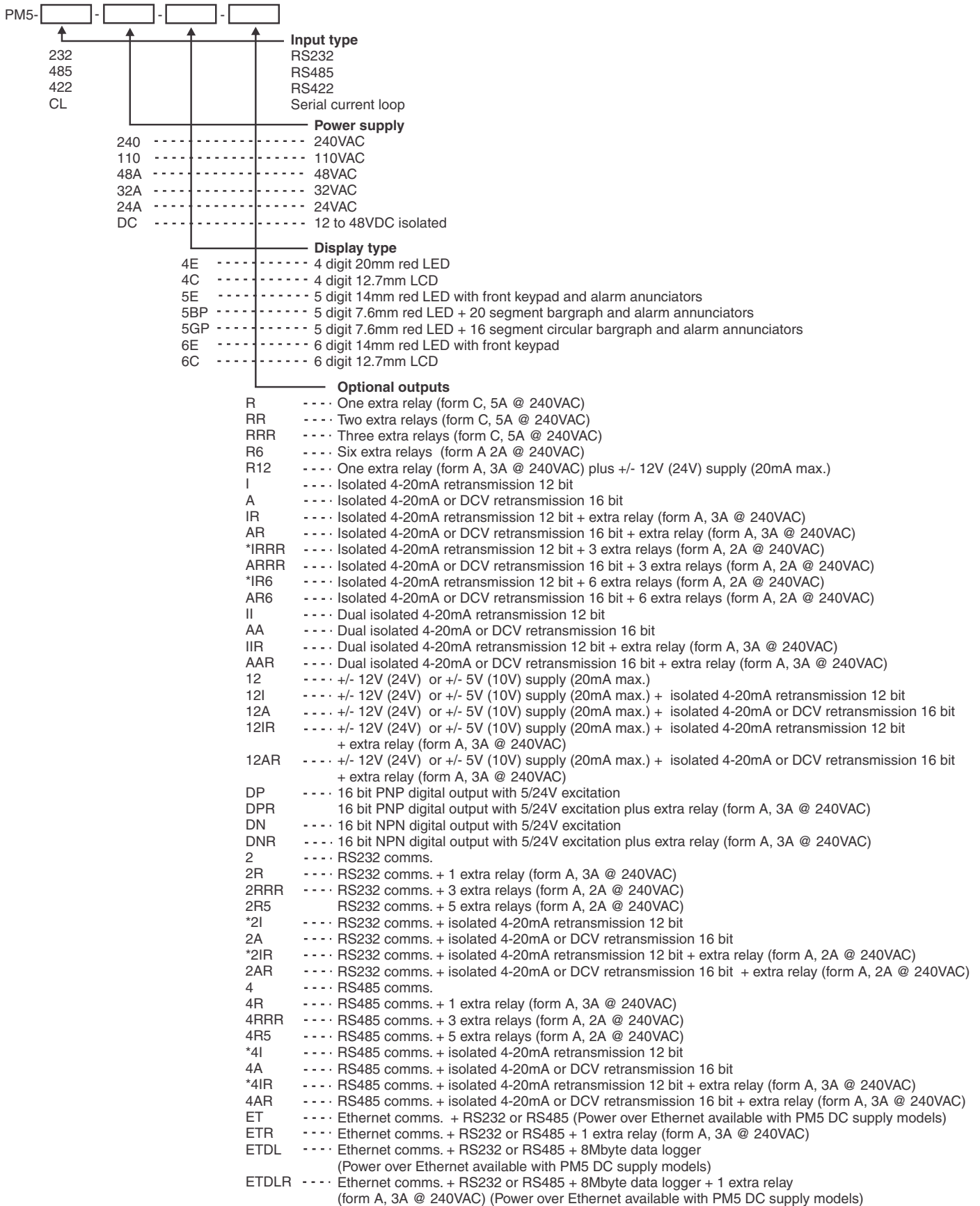


PM5-RS Accessories

Description	Model No.
IP67 access cover	COVER-PM-IP67
Wall mount enclosure	ENC-PM1-02
IP65 wall mount encl. with IP67 cover	ENC-PM1-02-IPCOV
Surface mount kit	PM4-OPT-SMKIT
Portable/bench enclosure AC	ENC-PM-AC
Portable/bench enclosure DC	ENC-PM-DC

PM5-RS order codes e.g. PM5-232-240-5E

The last section is for optional outputs, if required. (Note: only one of the optional outputs below can be fitted).



* means not a normal stock item - check availability, minimum order quantity may apply

PM5RS-1.2-0

AMALGAMATED INSTRUMENT CO

ABN: 80 619 963 692

Unit 5, 28 Leighton Place Hornsby
NSW 2077 Australia

Telephone: +61 2 9476 2244
Facsimile: +61 2 9476 2902

e-mail: sales@aicpl.com.au
Internet: www.aicpl.com.au