

# Intelligent PM4 monitors

## Model PM4-TMR

### Multifunction Timer



4 digit LED 20mm digit height



4 digit LCD 12.7mm digit height



5 digit LED 14.2mm digit height



6 digit LED 14.2mm digit height



8 digit LED 10mm digit height



6 digit LCD 12.7mm digit height

### Description

The PM4-TMR is a highly visible and versatile indicator with a selection of display options.

User selectable display formats are:

- Seconds e.g. **2324**
- Minutes.Seconds e.g. **238.53**
- Minutes e.g. **8472**
- Hours.Mins e.g. **1222**
- Hours.Mins.Secs - 6 and 8 digit models e.g. **08.52.30**
- Hours e.g. **2464**
- Days e.g. **364**
- Days.Hours e.g. **08.11**

The PM4-TMR accepts contact closure or control voltage inputs. The instrument may be used in stopwatch (start, stop, reset inputs) or elapsed time mode (start and reset inputs) and may be set for up or down timing. A scaled period mode of operation allows the display to be scaled i.e. multiplied or divided by a factor. An inverse period mode allows the display to measure inverse time quantities such as velocity. Each instrument is supplied with one control/alarm relay (standard). An external input is configurable to perform one of various functions e.g. zero, setpoint only access or full security lockout of functions.

### Features

- Battery backed memory
- Pushbutton calibration and setup
- 240V, 110V, 32V, 24VAC or 12 to 48VDC operation (factory configured)
- Alarm/control relay output (5A) with up to 32 day/time setpoints
- Remote input for special functions including
  - Reset
  - Setpoint Access
  - No Access
  - Display brightness control

### Output Options

- Additional setpoint relays (1, 3 or 6)
- RS232 or RS485 serial communications
- Single or dual channel analog retransmission

PM4TMR-3.5-0

**AMALGAMATED INSTRUMENT CO PTY LTD**

ACN: 001 589 439

Unit 5, 28 Leighton Place Hornsby  
NSW 2077 Australia

Telephone: +61 2 9476 2244  
Facsimile: +61 2 9476 2902

e-mail: sales@aicpl.com.au  
Internet: www.aicpl.com.au

## Specifications - subject to change without notice

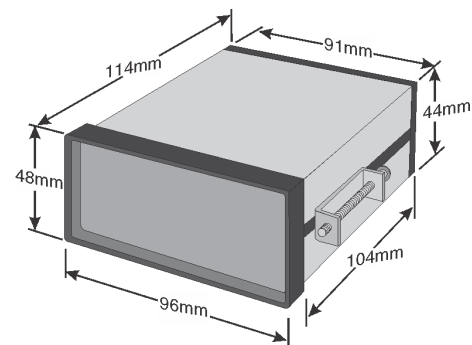
### Technical Specifications

Inputs	Contact closure or control voltage input for start and stop inputs
Input Impedance:	10k $\Omega$
Memory Retention:	Battery backed memory
Timer functions:	Period Measurement or scaled period measurement
Accuracy:	Period Measurement 0.01% $\pm$ 10mS
Resolution:	0.01 second minimum
Reset:	Contact closure using Reset or Remote Input terminals or via front <b>P</b> button function setting (on instruments with front buttons)
Microprocessor:	MC68HC11 CMOS
Ambient temp:	LED models -10°C to 60°C, LCD models -10°C to 50°C
Humidity:	5% to 95% non condensing
Display types:	<b>LED models:</b> 4 digit 20mm, 5 digit 14.2mm, status LEDs, keypad, 6 digit 14.2mm, keypad, 8 digit 10mm, keypad, 20 segment LED bargraph, 5 digit display + 4 way keypad, 16 segment circular "bargraph", 5 digit display + 4 way keypad <b>LCD models:</b> 4 digit or 6 digit 12.7mm
Power supply:	240, 110, 32, 24VAC 50/60Hz, 12 to 48VDC or 50 to 110VDC (factory configured)
Power usage:	AC supply 4 VA max, DC supply, consult supplier
Output (standard):	1 x relay, form A, rated 5A resistive
Relay action:	Programmable N.O. or N.C.
Transmitter supply:	5V, 9V or 18VDC (25mA maximum), note 9 and 18V supplies available on AC powered displays only
<b>Output Options</b>	
Extra relays:	1, 3 or 6 extra relays available
Retransmission:	Analog 4 to 20mA, 0 to 1V or 0 to 10V link selectable (single or dual channel) Serial RS232 or RS485, choice of ASCII or Modbus RTU protocols Digital Binary or BCD
DC voltage out:	Isolated 24V ( $\pm$ 12V), 25mA
Data logger:	2MByte internally mounted or external
<b>Physical Characteristics</b>	
Bezel size:	DIN 48mm x 96mm x 10mm
Case size:	44mm x 91mm x 115mm behind face of panel
Panel cut out:	45mm x 92mm (+1mm & -0mm)
Connections:	Plug in screw terminals (max 2.5mm <sup>2</sup> wire)
Weight:	400g basic model, 450g with option card

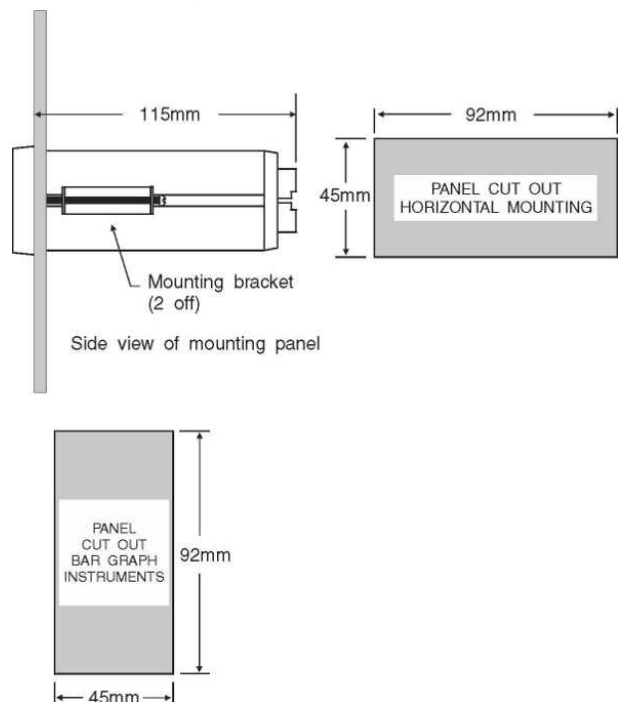
### PM4-TMR Accessories

Description	Model No.
IP65 access cover	COVER-IP65
IP67 access cover	COVER-PM-IP67
Wall mount enclosure	ENC-PM1-01
Wall mount encl. with IP65 cover	ENC-IP65-PM1-01
Surface mount kit	PM4-OPT-SMKIT
Portable/bench enclosure AC	ENC-PM-AC
Portable/bench enclosure DC	ENC-PM-DC

### Case dimensions



### Panel mounting details



Wiring diagrams and full operations manual are available from [www.aicpl.com.au/pdf/pm4tmrma.pdf](http://www.aicpl.com.au/pdf/pm4tmrma.pdf).

PM4TMR-3.5-0

**AMALGAMATED INSTRUMENT CO PTY LTD**

ACN: 001 589 439

Unit 5, 28 Leighton Place Hornsby  
NSW 2077 Australia

Telephone: +61 2 9476 2244  
Facsimile: +61 2 9476 2902

e-mail: [sales@aicpl.com.au](mailto:sales@aicpl.com.au)  
Internet: [www.aicpl.com.au](http://www.aicpl.com.au)

