

SG-HPC Series

Compression Truck Cell - 30t & 45t capacity



The SG-HPC is a super precision, state of the art measuring device incorporating the latest design power surge arresters.

The truck cell is designed to give years of reliable service in hostile environments

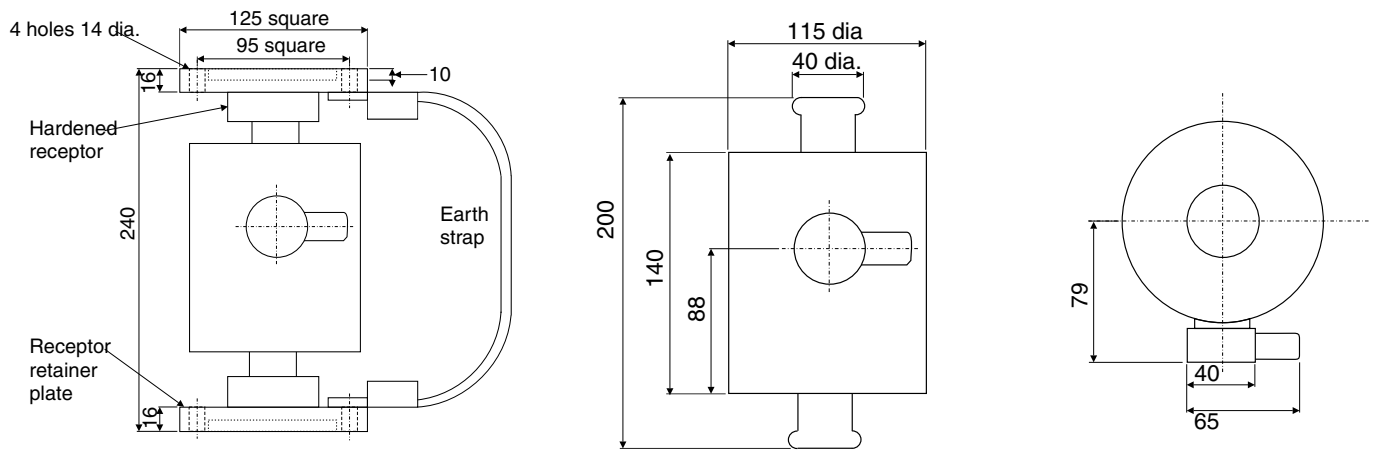
Patented new single column design enables immensely strong stainless steel construction that provides superior hermetic sealing overcoming the shortcomings of the old multi-column techniques.

Model	Order Code
HPC Truck Cell - 30t capacity	SG-HPC-30T
HPC Truck Cell - 45t capacity	SG-HPC-45T

The SG-HPC truck load cell is recommended for use in both road and rail truck scales and weighbridges where “Weights and Measures” approval to OIML R60, NTEP and EN standards is a formal requirement for trade approved weighing.



HPC Specifications and Accessories

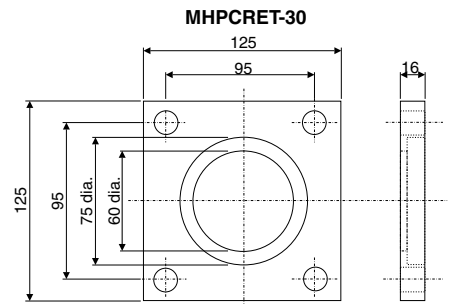
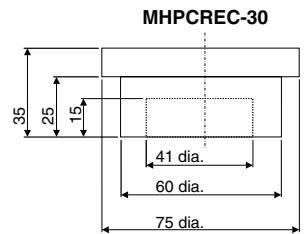


The SG-HPC truck cell is a state of the art measurement device. The SG-HPC truck cell incorporates the most modern and sophisticated electronics available housed in a stainless steel structure providing greater than 3000 hours protection at 1.5m immersion.

To ensure the exceptional performance of the SG-HPC is optimised, PT offers specially designed hardened load receptors, load receptor retaining plates and additional earth strap protection. Refer to the optional accessories listed in this brochure.

Specifications

Nominal Capacity (tonne)	30 & 45 tonnes
Nominal Output at capacity (mV/V)	2 mV/V \pm 0.1%
Factory calibration mode	Compression
Linearity error	0.020
Repeatability	0.010
Zero return, creep (30 mins)	0.017
Temp effect span/10C	0.010
Temp effect zero/10C	0.015
Insulation resistance - bridge to ground	>5000M Ω
Insulation resistance - cable to ground	>3000M Ω
Operating temperature range	-30° to 60°C
Compensated temperature range	-10° to 50°C
Input resistance	750 Ω nominal
Output resistance	704 Ω \pm 0.2 Ω
Service load	100% of capacity
Safe load	150% of capacity
Mechanical failure	300% of capacity
Excitation Range	5V to 18V AC/DC
Environmental Protection	Hermetically sealed (IP68)
Tilt, max. transverse displacement	15mm
Construction	Welded stainless steel
Power Surge Arresters	Fitted as standard
Net weight	3.6kg
Cable length	12 metres



Accessories	Order Code
Hardened Load receptors (2 pieces)	SG-HPC-REC-30
Retaining Plates (2 pieces)	SG-MHPC-RET-30
Earthing Strap	SG-MHPC-ETH-30
Complete Mount Assembly	SG-MHPC-30

WIRING SPECIFICATIONS

RED	+ Excitation
BLACK	- Excitation
GREEN	+ Signal
WHITE	- Signal
BROWN	+ Sense
BLUE	- Sense