

SG-PT7000 Series

Low Profile Compression Load Cell

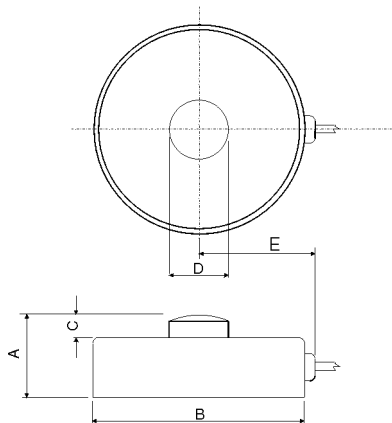
Features

- Capacities 0-100kg to 0-50T
- Welded stainless steel construction
- IP68 rating
- Individually calibrated
- Simple installation

Description

The SG-PT7000 welded stainless steel mini disk is an IP68 compression load cell. The physical dimensions of the existing LPX model range have been retained allowing for simple upgrading. The SG-PT7000 suitable for tank, hopper, silo work and all industrial-weighing projects. A neat feature with the upgrade is that the PT7000 no longer bolts through the bottom plate, it is a simple drop in load cell making it easy to remove for repairs or maintenance.

*Note bottom plate required for LPX upgrade.



| Range | A | B | C | D | E | Cable (m) | Wt. (kg) |
|---------|----|-----|----|----|------|-----------|----------|
| 0-100kg | 25 | 52 | 5 | 10 | 31 | 3 | 0.4 |
| 0-250kg | 25 | 52 | 5 | 10 | 31 | 3 | 0.4 |
| 0-500kg | 25 | 52 | 5 | 10 | 31 | 3 | 0.4 |
| 0-1T | 25 | 52 | 5 | 10 | 31 | 3 | 0.4 |
| 0-2.5T | 25 | 52 | 5 | 10 | 31 | 3 | 0.4 |
| 0-5T | 35 | 100 | 7 | 20 | 55 | 5 | 1.7 |
| 0-10T | 35 | 100 | 7 | 20 | 55 | 5 | 1.7 |
| 0-25T | 50 | 115 | 10 | 32 | 62.5 | 10 | 3.2 |
| 0-50T | 55 | 155 | 13 | 45 | 82.5 | 10 | 7.0 |

Dimensions in millimetres unless noted



Specifications

| | |
|----------------------------|------------------|
| Capacities | 0-100kg to 0-50T |
| Nominal output at capacity | 2mV/V ± 0.2mV |
| Linearity error | <0.070% FSO |
| Non-repeatability | <0.050% FSO |
| Creep (30 mins) | <0.070% FSO |
| Temp effect span/10°C | <0.025% FSO |
| Temp effect zero/10°C | <0.025% capacity |
| Compensated temp. range | -10°C to +50°C |
| Safe load | 150% of capacity |
| Mechanical failure | 300% of capacity |
| Recommended excitation | 5V - 20V AC/DC |
| Maximum excitation | 25VDC |
| Environmental protection | IP68 |

Wiring Specifications

| | |
|-------|--------------|
| RED | + Excitation |
| BLACK | - Excitation |
| GREEN | + Signal |
| WHITE | - Signal |

Order Code

| | |
|----------------|-----------------------|
| SG-PT7000-100 | Range 0-100kg |
| SG-PT7000-250 | Range 0-250kg |
| SG-PT7000-500 | Range 0-500kg |
| SG-PT7000-1T | Range 0-1T (1000kg) |
| SG-PT7000-2.5T | Range 0-2.5T (2500kg) |
| SG-PT7000-5T | Range 0-5T (5000kg) |
| SG-PT7000-10T | Range 0-10T (10000kg) |
| SG-PT7000-25T | Range 0-25T (25000kg) |
| SG-PT7000-50T | Range 0-50T (50000kg) |

LOP_7000-1.2-0

AMALGAMATED INSTRUMENT CO PTY LTD

ACN: 001 589 439

Unit 5, 28 Leighton Place Hornsby
NSW 2077 Australia

Telephone: +61 2 9476 2244
Facsimile: +61 2 9476 2902

e-mail: sales@aicpl.com.au
Internet: www.aicpl.com.au