

# Large digit displays - 20, 38, 45, 57, 58mm digit height models

## LD5-RS and LE5-RS serial input displays

The LD5-RS and LE5-RS with the 20mm, 38mm, 45mm, 57mm & 58mm displays will be ideal for applications where indications need to be visible at a distance. LE5 model versions include Ethernet communications web page. High contrast versions, viewable even in bright sunlight are available in 38mm and 58mm digit height in red, green, amber or white.

### Displays



6 digit 20mm high red LED (visibility to 10m)



6 digit 38mm high red LED (visibility to 18m)



5 digit 45mm high red LED (visibility to 20m)

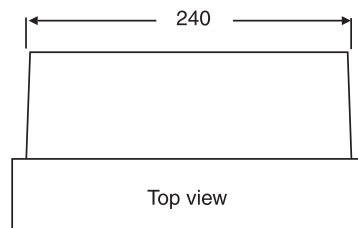
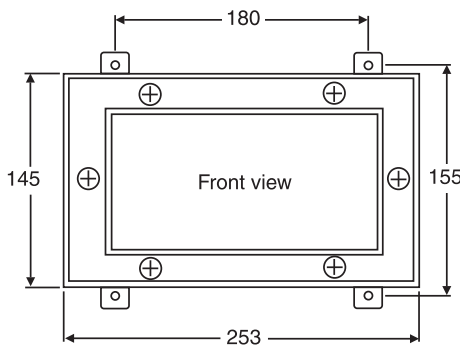


4 digit high contrast 58mm high green LED (visibility to 25m)

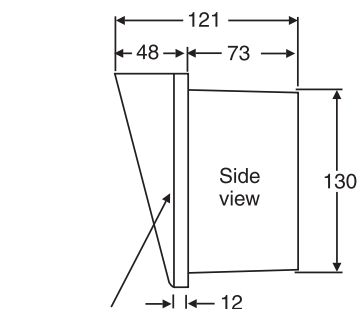


### Features

- 6 x 20mm LED - visibility rating to 10m
- 6 x 38mm LED - visibility rating to 18m
- 5 x 45mm LED - visibility rating to 20m
- 4 x 57mm or 58mm LED - visibility rating to 25m
- High contrast, daylight viewable 38 or 58mm versions in green, red, amber or white
- RS232 or RS485 models (ASCII, Modbus RTU or NMEA)  
Ethernet model uses Ethernet address, Port 10002 or Modbus TCP function 6 or 16
- 300 baud to 38.4k baud
- Up to 4 address characters can be used to select display when used in multi drop RS485
- IP65 rated wall mount enclosure
- 4 configurable setpoint relays standard rated at 240VAC, 5A into a resistive load
- Panel mount kit available
- Pushbutton setup and scaling
- Remote inputs can be configured to one of a wide range of functions including zero, display hold, peak hold, etc.
- Programmable digital filter
- Ethernet with web page in LE5 models
- Isolated RS232/RS485 serial output communications optionally available. Both RS232 and RS485 are fitted but only once at a time can be used
- The auto-brightness feature for LED displays varies the display brightness to suit the ambient light
- 2 year guarantee



All dimensions in mm



Can be ordered with or without hood

LD5RS3858-1.1-0

**AMALGAMATED INSTRUMENT CO**

ABN: 80 619 963 692

Unit 5, 28 Leighton Place Hornsby  
NSW 2077 Australia

Telephone: +61 2 9476 2244  
Facsimile: +61 2 9476 2902

e-mail: [sales@aicpl.com.au](mailto:sales@aicpl.com.au)  
Internet: [www.aicpl.com.au](http://www.aicpl.com.au)

## Specifications

|                       |  |
|-----------------------|--|
| Input:                | RS232 or RS485 (input type is factory configured)<br>or Ethernet plus either RS232 or RS485 models for LE5 models  |
| Baud rate             | Selectable 300 baud to 38400 baud  |
| Display types:        | 20mm 6 digit red led with alarm annunciators and 4 way keypad<br>38mm 6 digit red, green, amber or white LED with alarm annunciators and 4 way keypad<br>45mm 5 digit red LED with alarm annunciators and 4 way keypad<br>57mm 4 digit red or<br>58mm 4 digit red, green, amber or white LED |
| Ambient temp:         | -10°C to 60°C  |
| Humidity:             | 5% to 95% non condensing<br>See separate brochures for other display sizes   |
| Power supply:         | See order code table (type is factory configured)  |
| Power usage:          | AC supply 15VA max,<br>DC supply typically 100mA at 24VDC for 20, 38 or 45mm standard brightness,<br>250mA at 24VDC for 57mm or 38 & 58mm high contrast  |
| Outputs (standard):   | 4 x relays, (1 x form C, 3 x form A), rated at 240VAC, 5A resistive  |
| Outputs (optional):   | See order code table (type is factory configured)  |
| Relay action:         | Programmable N.O. or N.C.  |
| Environmental rating: | IP65   |
| Weight:               | 1.3 kg   |
| Dimensions:           | See front page   |

## Applications/input types available with large digit display models - see individual brochures

- 8 channel scanning, RTD, Thermocouple and 4-20mA/DCV input versions available
- Analog input, process transmitters etc.  $\pm 20\text{mA}$ , 4-20mA or  $\pm 2.5\text{VDC}$  or  $\pm 25\text{VDC}$
- Pulse input, rate, total, count, grand total (encoders, switches, proximity sensors etc.)
- Temperature - RTD, thermocouple, 4-20mA
- Weighing - 4 or 6 wire mV/V output loadcells
- Pressure measurement - 4 or 6 wire mV/V pressure sensors or 4-20mA analog transducers
- Liquid level measurement - 4 or 6 wire mV/V pressure sensors or 4-20mA analog transducers
- Serial input - RS232, RS485 for slave displays etc.
- Synchronous Serial Interface (SSI) for high accuracy position etc. measurement
- Binary, BCD or Gray Code input
- Real Time clock with alarms
- Multifunction timer - elapsed time, stopwatch, run time etc.

LD5RS3858-1.1-0

---

**AMALGAMATED INSTRUMENT CO**

ABN: 80 619 963 692

Unit 5, 28 Leighton Place Hornsby  
NSW 2077 Australia

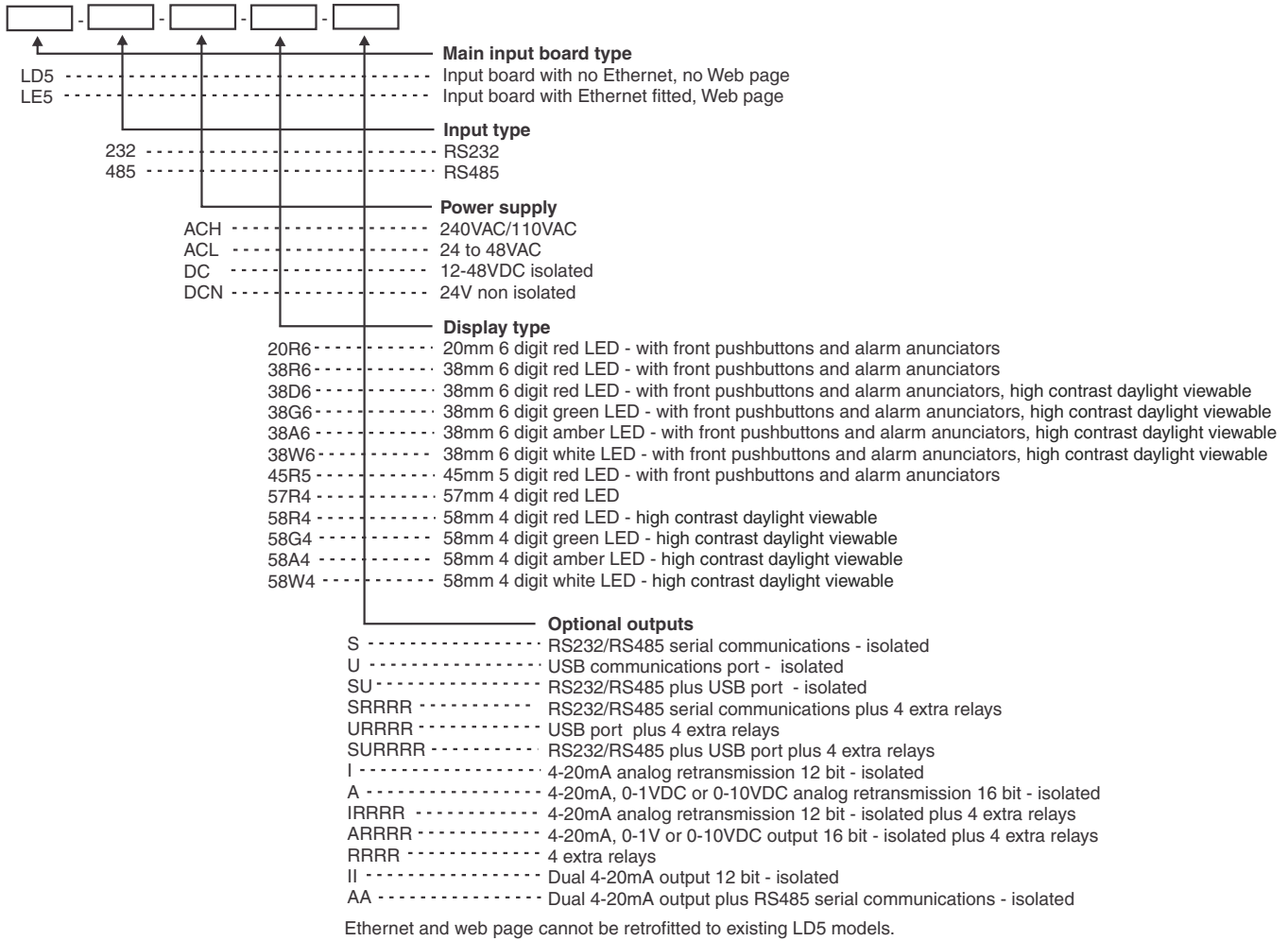
Telephone: +61 2 9476 2244  
Facsimile: +61 2 9476 2902

e-mail: sales@aicpl.com.au  
Internet: www.aicpl.com.au

## LD-RS order codes for 20, 38, 45, 57 or 58mm displays

The last section is for optional outputs (if required).

Optional outputs are factory configured.

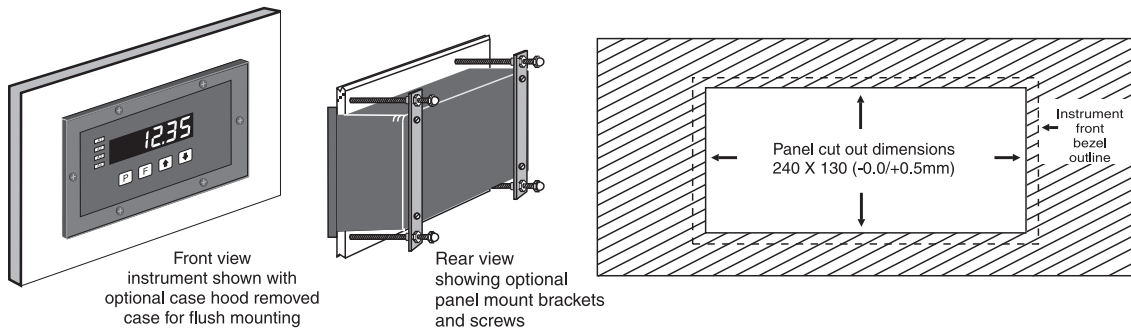


## Panel mounting

The instrument is provided with removable surface (e.g.wall) mounting tabs mounting to cover most common timing requirements. A panel mount kit is optionally available which allows the instrument to be mounted in a panel cut out. If required the instrument can be optionally supplied with the front hood removed to allow a more flush panel mount fitting.

Part number for panel mount kit: LD-MTG-PM-KIT

Part number for hood removal: LD-HOOD-REMOVAL



LD5RS3858-1.1-0

**AMALGAMATED INSTRUMENT CO**

ABN: 80 619 963 692

Unit 5, 28 Leighton Place Hornsby  
 NSW 2077 Australia

Telephone: +61 2 9476 2244  
 Facsimile: +61 2 9476 2902

e-mail: sales@aicpl.com.au  
 Internet: www.aicpl.com.au