

Economical Large Digit Display

LD4-TR for pulse input

For count, rate, total, tachometer, batching applications

4 x 57mm high LED digits



Features

- 4 x 57mm red LED digits, visibility rating to 25m
- Rate, Total or Grand Total from pulse input
- IP65 rated wall mount enclosure
- Count rate up to 100 kHz
- 2 configurable setpoint relays standard - capacity 240VAC, 5A, form A
- Relays can be set to operate from rate, total or in "pass" mode (the relay activates for a programmable length of time each time a multiple of a total is reached. For example - operate for 1 sec. at each count of 1000)
- Remote reset or programmable automatic reset
- Rate or period display for input signals less than 1kHz
- Compatible with a wide range of input sensor types with a pulse output
- Different engineering units can be set for rate and total displays (e.g. litres/min and kilolitres)
- Pushbutton setup and calibration
- 2 year guarantee
- Special low frequency mode stops flickering of display between 0 and rate when input is a lower frequency than the sample rate

Description

The LD4-TR range of large digit displays is designed for use with pulse input signals. The instruments can be configured to accept a wide range of sensors including contact closure, PNP and NPN transistor inputs (both 2-wire and 3-wire), AC and DC voltage signals and induction sensor outputs amongst others. The input frequency can be up to 100kHz. The LD4-TR can be configured for rate, total (counting etc) or both. The LD4-TR will also keep a grand total in totaliser mode.

Remote input connections are available to reset display to zero, to restart display at a preset value, and to hold the display or show the peak reading (peak hold) amongst other functions. The totaliser memory is backed up by an onboard battery. Setup of the instrument is achieved without the use of special tools.

Some jumpers are set within the instrument to define the input type but calibration, alarm settings, decimal point etc are all carried out using the push buttons on the main board of the instrument.

The 57mm LED display is housed in a rugged, IP65 rated, UV stabilised ASA enclosure.



LD4TR-2.3-0

AMALGAMATED INSTRUMENT CO PTY LTD

ACN: 001 589 439

Unit 5, 28 Leighton Place Hornsby
NSW 2077 Australia

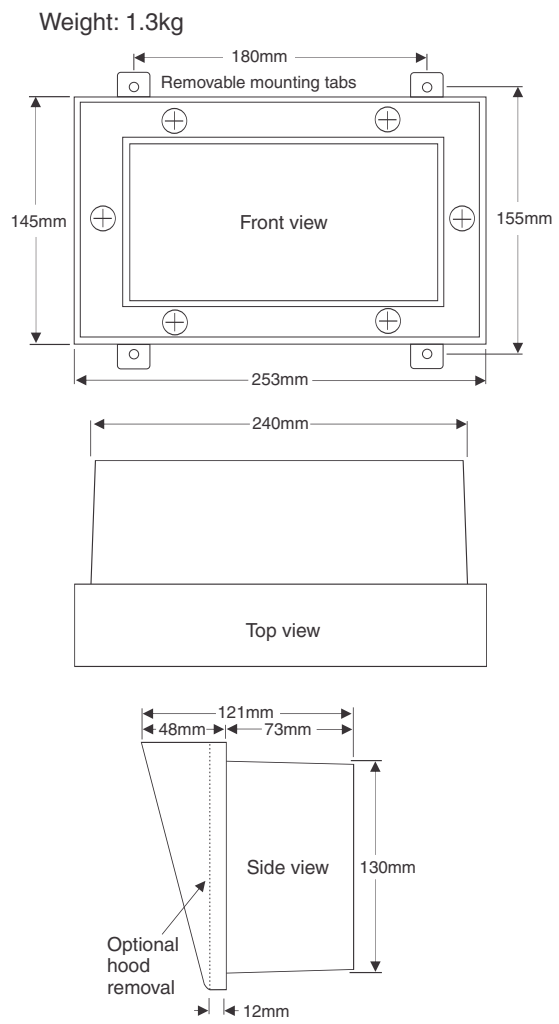
Telephone: +61 2 9476 2244
Facsimile: +61 2 9476 2902

e-mail: sales@aicpl.com.au
Internet: www.aicpl.com.au

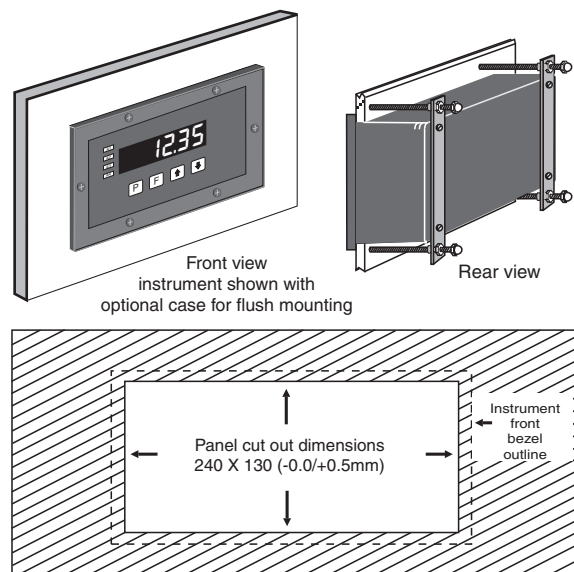
Technical Specifications

Input types	Selectable types inc: NPN, PNP, switch contact, magnetic pickup, output from TTL, CMOS, square wave, etc
Reset input	Voltage free switch contact or 5VDC signal
Memory	Battery backed totaliser memory
Max. count rate	100kHz
Accuracy	Better than 0.01% for rate display (0.01% \pm 10 μ sec for period display)
Input Impedance	10k Ω
Microprocessor	MC68HC11 CMOS
Sensor supply:	5VDC regulated or 18 to 25VDC unregulated, link selectable (25mA max.)
Ambient temperature	-10°C to 60°C
Humidity	5% to 95%
Outputs	2 x setpoint relays, form A, rated 5A at 240VAC (resistive load)
Power Supply	See order code table (type is factory configured)
Power Consumption	AC supply: 15VA max, DC supply: depends on supply voltage, typically 500mA (2A peak) for 24VDC using non isolated DC supply

Weight and Dimensions



Panel Mounting Options



Order Codes

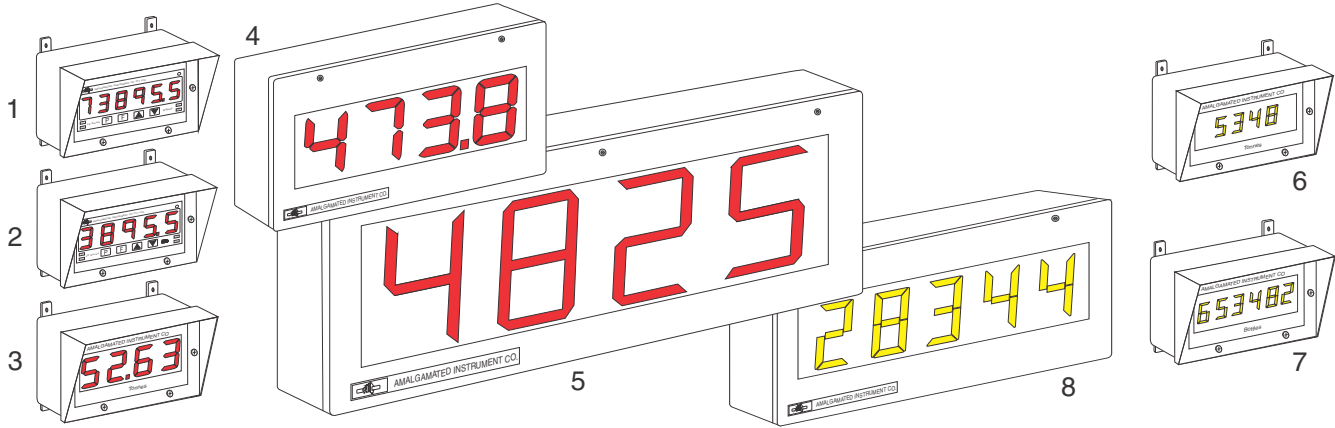
Order Code	Display	Supply Voltage
LD4-TR-240-574	4 x 57mm red LED	240VAC
LD4-TR-110-574	4 x 57mm red LED	110VAC
LD4-TR-DCN-574	4 x 57mm red LED	15-24VDC non isolated
LD4-TR-DC-574	4 x 57mm red LED	12-48VDC isolated

Options

Option Code	Description
LD4-OPT-2	RS232 serial comms, non-isolated
LD4-OPT-4	RS485 serial comms, non-isolated
LD-MTG-PM-KIT	Panel mount kit incl brackets & screws
LD-HOOD-REMOVAL	Front hood removal

LD4TR-2.3-0

Displays available in Large Digit Series



No.	LED digit size	No of digits	No.	"FLIP" digit size	No of digits
1	38mm	6	6	39mm - selected models	4
2	45mm	5	7	39mm - selected models	6
3	57mm or 58mm	4	8	100mm	4, 5 and 6
4	100mm	4 and 6	38, 58, 100 and 200mm LED displays		
5	200mm	4	are available in red, green, amber or white		

Applications/input types available with large digit display models

- Analog input, process transmitters etc. $\pm 20\text{mA}$, 4-20mA or $\pm 2.5\text{VDC}$ or $\pm 25\text{VDC}$
- Pulse input, rate, total, count, grand total (encoders, switches, proximity sensors etc.)
- Temperature - RTD, thermocouple, 4-20mA
- Weighing - 4 or 6 wire mV/V output loadcells
- Pressure measurement - 4 or 6 wire mV/V pressure sensors or 4-20mA analog transducers
- Liquid level measurement - 4 or 6 wire mV/V pressure sensors or 4-20mA analog transducers
- Serial input - RS232, RS485, Serial current loop for slave displays etc.
- Synchronous Serial Interface (SSI) for high accuracy position etc. measurement
- Binary, BCD or Gray Code input
- Real Time clock with alarms
- Multifunction timer - elapsed time, stopwatch, run time etc.

LD4TR-2.3-0

AMALGAMATED INSTRUMENT CO PTY LTD

ACN: 001 589 439

Unit 5, 28 Leighton Place Hornsby
NSW 2077 Australia

Telephone: +61 2 9476 2244
Facsimile: +61 2 9476 2902

e-mail: sales@aicpl.com.au
Internet: www.aicpl.com.au