

Economical Large Digit Display LD4-TMR Multifunction Timer

4 x 57mm high LED digits



Features

- Digit heights 57mm (2.3"), visible to 25 metres
- Stopwatch, elapsed time and pulse timer modes
- Time, scaled time or inverse time display
- Up/down timer modes
- Contact closure control or DC control voltage input from PLC, proximity sensor etc.
- Battery backed memory
- High brightness/high visibility red LED display
- Adjustable brightness level to avoid glare in low light environments
- Rugged, IP65 weatherproof construction.
- Remote input start, stop and reset
- Microprocessor based
- Two alarm/control relays (5A)
- Pushbutton calibration and setup
- Power supplies include 240V, 110V, 12 to 16VAC or 15 to 24VDC (non isolated) or optional isolated DC (12 to 24 or 28 to 48VDC) supplies, factory configured
- 2 Year guarantee
- Remote input to perform special functions e.g. zero, setpoint only access or security lockout

Description

Model LD4-TMR is a versatile timer monitor/ controller. Stopwatch (start, stop and reset inputs), elapsed time (start and reset inputs) and pulse timer modes of operation may be selected by the user to suit the required operation.

Up timing or down timing (from a user controlled preset value) choices are also provided. A "scaled period" mode of operation allows the display to be scaled i.e. multiplied or divided by a factor. An "inverse period" mode allows the display to measure inverse time quantities such as velocity.

Since the instrument is microprocessor based, set up functions and adjustments are easily achieved using "on display" message prompts and pushbuttons.

A serial (RS232 or RS485) retransmission option is available for this model with choice of ASCII or Modbus RTU protocols (factory configured).

High brightness red LED displays are used to achieve good visibility, even in areas with high ambient light levels. The 57mm LED display is housed in a rugged, IP65 rated, UV stabilised ASA enclosure.



LD4TMR-2.3-0

AMALGAMATED INSTRUMENT CO PTY LTD

ACN: 001 589 439

Unit 5, 28 Leighton Place Hornsby
NSW 2077 Australia

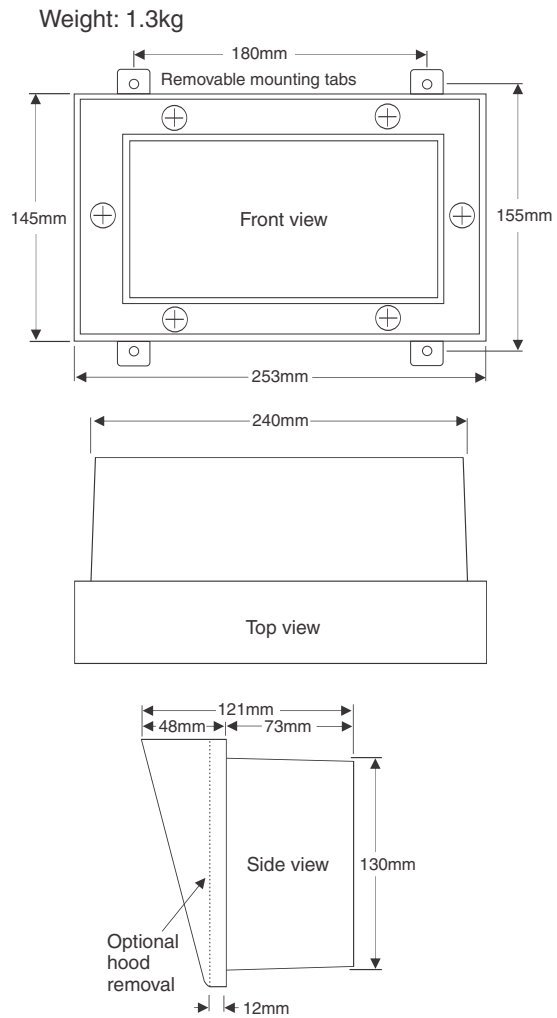
Telephone: +61 2 9476 2244
Facsimile: +61 2 9476 2902

e-mail: sales@aicpl.com.au
Internet: www.aicpl.com.au

Technical Specifications

Input types	External contact closure or DC control voltage input from PLC, proximity detector etc
Reset input	Voltage free switch contact or 5VDC signal
Memory	Battery backed totaliser memory
Timer Modes:	Stopwatch, elapsed time, scaled period or inverse scaled period
Microprocessor	MC68HC11 CMOS
Transmitter supply:	5VDC regulated or 16VDC unregulated, link selectable (25mA max.)
Ambient temperature	-10°C to 60°C
Humidity	5% to 95%
Outputs	2 x setpoint relays, form A, rated 5A at 240VAC (resistive load)
Power Supply	See order code table (type is factory configured)
Power Consumption	AC supply: 15VA max, DC supply: depends on supply voltage, typically 500mA (2A peak) for 24VDC using non isolated DC supply

Weight and Dimensions



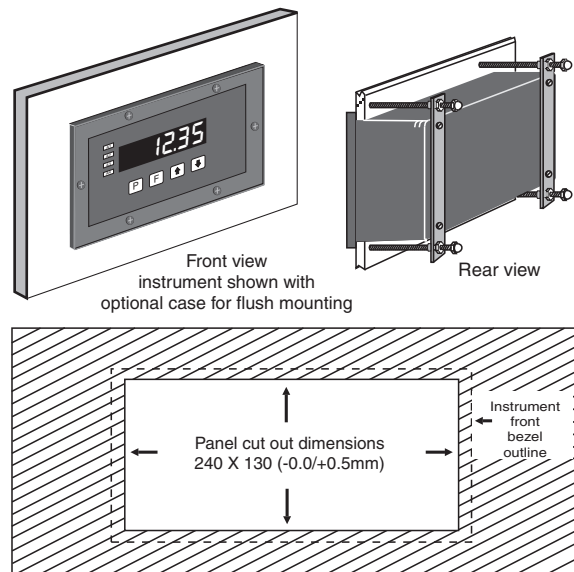
Order Codes

Order Code	Display	Supply Voltage
LD4-TMR-240-574	4 x 57mm red LED	240VAC
LD4-TMR-110-574	4 x 57mm red LED	110VAC
LD4-TMR-DCN-574	4 x 57mm red LED	15-24VDC non isolated
LD4-TMR-DC-574	4 x 57mm red LED	12-48VDC isolated

Options

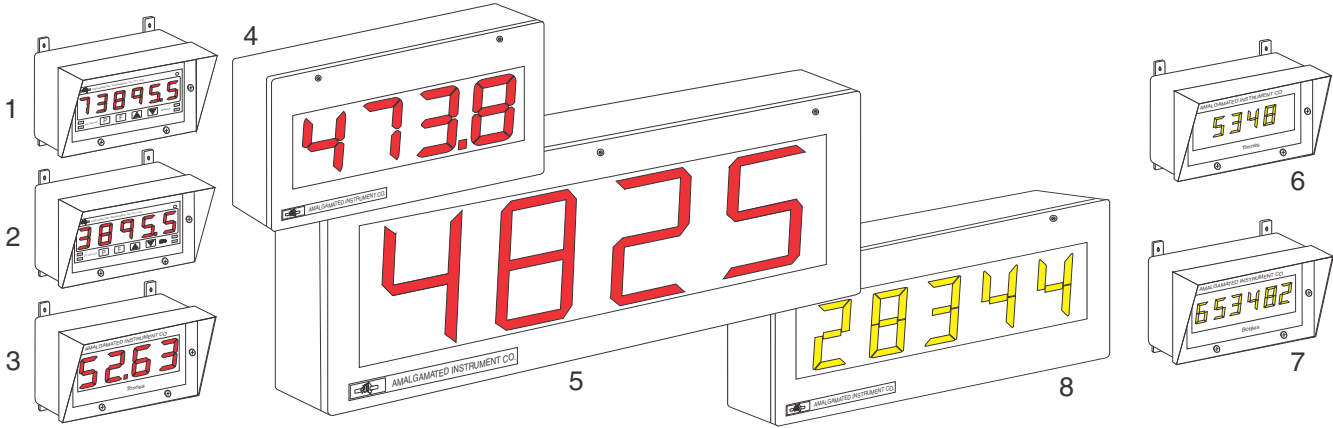
Option Code	Description
LD4-OPT-2	RS232 serial comms, non-isolated
LD4-OPT-4	RS485 serial comms, non-isolated
LD-MTG-PM-KIT	Panel mount kit incl brackets & screws
LD-HOOD-REMOVAL	Front hood removal

Panel Mounting Options



LD4TMR-2.3-0

Displays available in Large Digit Series



No.	LED digit size	No of digits	No.	"FLIP" digit size	No of digits
1	38mm	6	6	39mm - selected models	4
2	45mm	5	7	39mm - selected models	6
3	57mm or 58mm	4	8	100mm	4, 5 and 6
4	100mm	4 and 6	38, 58, 100 and 200mm LED displays		
5	200mm	4	are available in red, green, amber or white		

Applications/input types available with large digit display models

- Analog input, process transmitters etc. $\pm 20\text{mA}$, 4-20mA or $\pm 2.5\text{VDC}$ or $\pm 25\text{VDC}$
- Pulse input, rate, total, count, grand total (encoders, switches, proximity sensors etc.)
- Temperature - RTD, thermocouple, 4-20mA
- Weighing - 4 or 6 wire mV/V output loadcells
- Pressure measurement - 4 or 6 wire mV/V pressure sensors or 4-20mA analog transducers
- Liquid level measurement - 4 or 6 wire mV/V pressure sensors or 4-20mA analog transducers
- Serial input - RS232, RS485, Serial current loop for slave displays etc.
- Synchronous Serial Interface (SSI) for high accuracy position etc. measurement
- Binary, BCD or Gray Code input
- Real Time clock with alarms
- Multifunction timer - elapsed time, stopwatch, run time etc.

LD4TMR-2.3-0

AMALGAMATED INSTRUMENT CO PTY LTD

ACN: 001 589 439

Unit 5, 28 Leighton Place Hornsby
NSW 2077 Australia

Telephone: +61 2 9476 2244
Facsimile: +61 2 9476 2902

e-mail: sales@aicpl.com.au
Internet: www.aicpl.com.au