

Economical Large Digit Display

LD4-232, - 485, -CL serial data input

4 x 57mm high LED digits



Features

- Models for RS232, RS485 or 20mA serial current loop
- Arithmetic mode - allows arithmetic operations from up to 4 RS485 sources
- Selectable 300 to 38400 baud rate
- Selectable odd, even or no parity
- Selectable 7 or 8 bit data
- One, two or three address characters, allow multiple displays to be connected using RS485 with different values sent to displays with different addresses
- Flexible setup, allows display from a wide range of sources
- 57mm high digits (visible to 25m)
- High brightness LED display
- Automatic or user selectable decimal point position
- Pushbutton setup
- Two alarm/control relay outputs (5A). The relays can be configured with high and/or low trip points and for normally open or normally closed operation. Trailing alarm mode allows second relay to trail (operate at a fixed value above or below relay one)
- Rugged, weatherproof, IP65 rated housing
- Remote input to perform special functions e.g. brightness level switching, high/low memory, peak hold, display hold, tare, zero, setpoint only access or security lockout 2 year guarantee
- Optional hood removal and panel mount kit

Description

The LD4-232, LD4-485 and LD4-CL will accept inputs from RS232, RS485, RS422 or serial current loop inputs (factory configured). The digital display will indicate numeric and some alpha characters (when alpha function is selected).

The instrument can operate as a standard serial input display or can operate in arithmetic mode. In arithmetic operation mode the instrument can be programmed to accept input from up to four RS485 or RS422 sources and combine these arithmetically.

In other modes the instrument has the ability to transmit periodic polling requests of up to 8 characters in length. The time between polling requests is programmable from 0.0 to 20.0 seconds. The polling feature allows the LD4 to request data from sources which require a polling command before data can be transmitted.

Two standard inbuilt relays are provided for alarm/control functions.

An external input is configurable to perform one of various functions e.g. zero, tare, switching, brightness level switching, high/low memory, peak hold, display hold, setpoint only access or security lockout.

The 57mm LED display is housed in a rugged, IP65 rated, UV stabilised ASA enclosure.



LD4RS-2.3-0

AMALGAMATED INSTRUMENT CO PTY LTD

ACN: 001 589 439

Unit 5, 28 Leighton Place Hornsby
NSW 2077 Australia

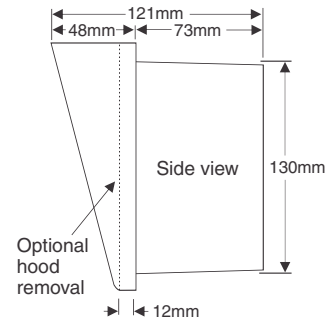
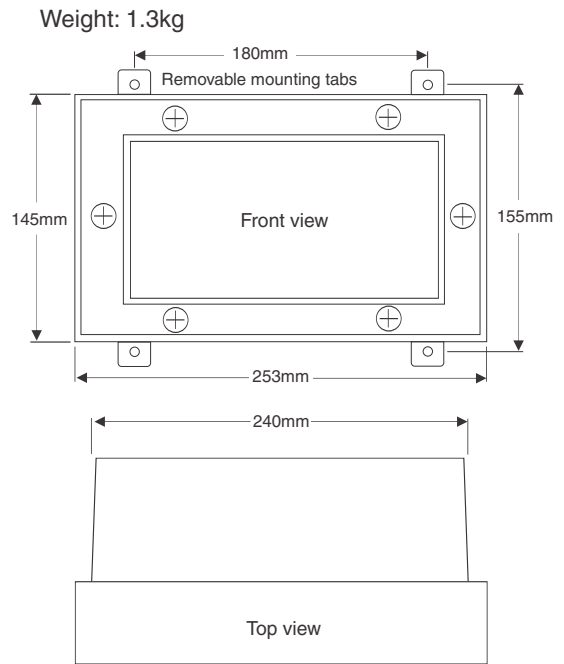
Telephone: +61 2 9476 2244
Facsimile: +61 2 9476 2902

e-mail: sales@aicpl.com.au
Internet: www.aicpl.com.au

Technical Specifications

Input Types:	RS232, RS485 or 20mA current loop serial data
Microprocessor:	MC68HC11 CMOS
Ambient Temp:	-10°C to 60°C
Humidity:	5% to 95% non condensing
Outputs:	2 x setpoint relays, form A, rated 5A at 240VAC (resistive load)
Power Supply:	See order code table (type is factory configured)
Power consumption:	AC supply, 15VA max. DC supply, depends on supply voltage, typically 500mA (2Apeak) for 24V using non isolated power supply

Weight and Dimensions



Order Codes

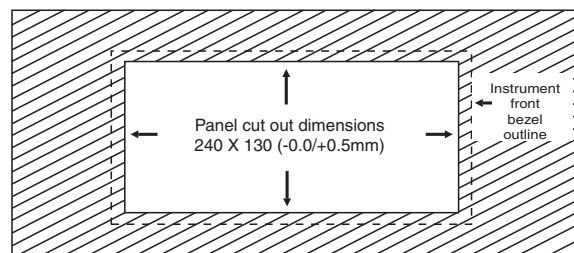
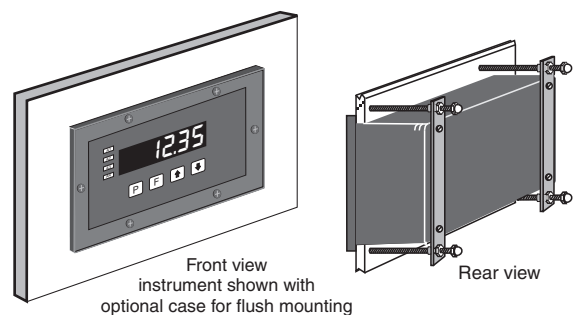
NOTE: XXX below represents the input type
For RS232 input specify LD4-232,
For RS485 input specify LD4-485
For 20mA current loop input specify LD4-CL

Order Code	Display	Supply Voltage
LD4-XXX-240-574	4 x 57mm red LED	240VAC
LD4-XXX-110-574	4 x 57mm red LED	110VAC
LD4-XXX-DCN-574	4 x 57mm red LED	15-24VDC non isolated
LD4-XXX-DC-574	4 x 57mm red LED	12-48VDC isolated

Options

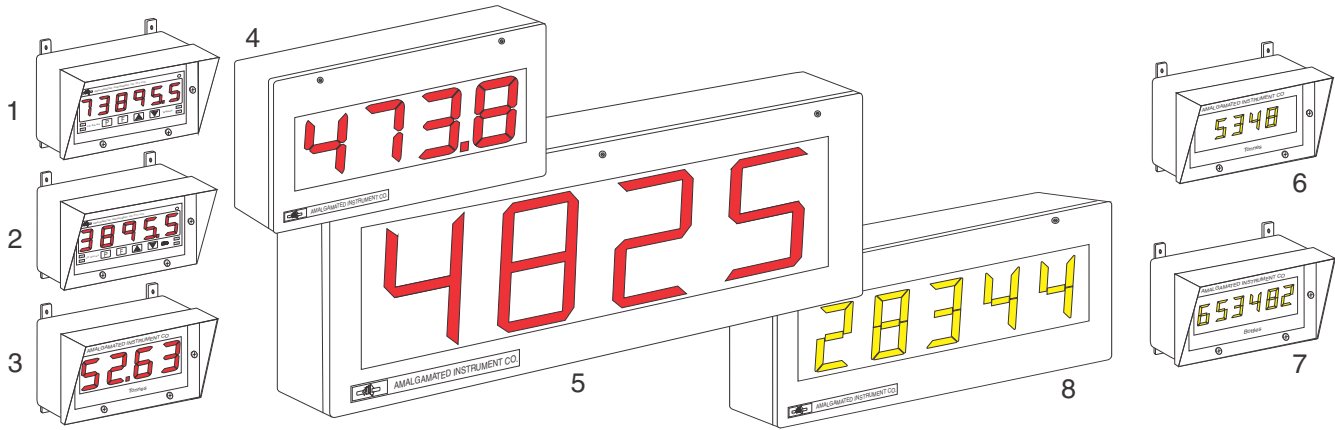
Option Code	Description
LD-MTG-PM-KIT	Panel mount kit incl brackets & screws
LD-HOOD-REMOVAL	Front hood removal

Panel Mounting Options



LD4RS-2.3-0

Displays available in Large Digit Series



No.	LED digit size	No of digits	No.	"FLIP" digit size	No of digits
1	38mm	6	6	39mm - selected models	4
2	45mm	5	7	39mm - selected models	6
3	57mm or 58mm	4	8	100mm	4, 5 and 6
4	100mm	4 and 6	38, 58, 100 and 200mm LED displays		
5	200mm	4	are available in red, green, amber or white		

Applications/input types available with large digit display models

- Analog input, process transmitters etc. $\pm 20\text{mA}$, 4-20mA or $\pm 2.5\text{VDC}$ or $\pm 25\text{VDC}$
- Pulse input, rate, total, count, grand total (encoders, switches, proximity sensors etc.)
- Temperature - RTD, thermocouple, 4-20mA
- Weighing - 4 or 6 wire mV/V output loadcells
- Pressure measurement - 4 or 6 wire mV/V pressure sensors or 4-20mA analog transducers
- Liquid level measurement - 4 or 6 wire mV/V pressure sensors or 4-20mA analog transducers
- Serial input - RS232, RS485, Serial current loop for slave displays etc.
- Synchronous Serial Interface (SSI) for high accuracy position etc. measurement
- Binary, BCD or Gray Code input
- Real Time clock with alarms
- Multifunction timer - elapsed time, stopwatch, run time etc.

LD4RS-2.3-0

AMALGAMATED INSTRUMENT CO PTY LTD

ACN: 001 589 439

Unit 5, 28 Leighton Place Hornsby
NSW 2077 Australia

Telephone: +61 2 9476 2244
Facsimile: +61 2 9476 2902

e-mail: sales@aicpl.com.au
Internet: www.aicpl.com.au