

Wiring code for AIC conductivity cells

Due to changes in the international wiring colour code agreement the red, black, blue & white colour coded cable previously used on AIC conductivity cells is no longer available as a standard cable. Under the new agreement the white cable has been replaced by the colour yellow.

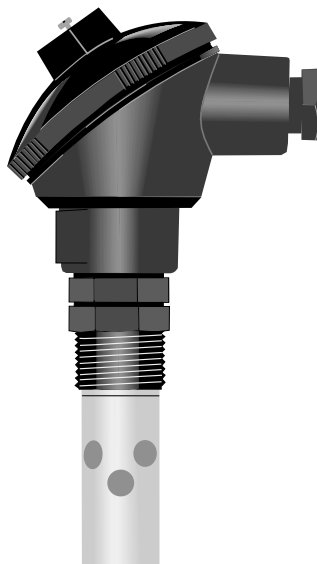
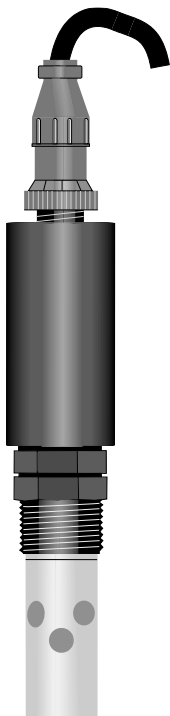
AIC conductivity cells connections are colour coded as follows:

Cell in: Blue

Cell out: Yellow

Temperature +: Red

Temperature -: Black



CONDWIRE-1.0-1
